



























INVESTIMENTOS

INDUSTRIAL PLUGS AND SOCKETS



CONTENTS

Page

		About NSK	3
		CEE Industrial Plugs and Couplers 16A - 125A	4 - 7
		CEE Flanged Sockets 16A - 125A	8 - 9
		CEE Switched Interlocked Sockets	10 - 14
		CEE Wall Sockets Unswitched 16A - 125A	15 - 16
		CEE Container Plugs, Couplers and Sockets	17 - 18
		CEE Flanged Appliance Inlet	19 - 21
		CEE Plugs and Sockets 7-Poles	22 - 23
		Event technology - Midnight Series	24 - 25
		PRCD-S+ Safety Protection Devices	26 - 27
		XREEL® Cable Reels	28 - 31
		Technical Reference Section	32 - 53

Company Introduction

Ampco has been a significant Electrical Plug and Socket provider with an extensive range of products branded inhouse

By all standards in today's terms, Ampco is a well-known and reliable product also considered as the largest leader in the supply commodities of Industrial Plugs and Sockets in Africa.

CEE and IEC

The term "CEE" generally refers to Industrial Plugs and Sockets that comply with the International Standard IEC 60309.

CEE is the abbreviation of "International Commission on rules for the approval of Electrical Equipment."

CONFORMITY TO STANDARDS

CEE plugs and sockets are internationally normalized by IEC 60309-1 and 60309-2 equivalent to the European Norms EN 60309 part 1 and EN 60309 parts 2.

IEC is the "International Electrotechnical Commission" - which is the world organization for international standardization of electrical equipment.

Research and Development

Central to our manufacturing philosophy is a commitment to constantly improve our products.

We are continually developing both the design and construction of our range, with particular emphasis on safety, performance and durability.

Manufacturing Standards and Testing

All our plugs and sockets undergo rigorous inspections throughout production processes and are manufactured in accordance with ISO 9001:2015 Quality Management Certification.

Design

All our products in this catalogue have been ISO rated and developed by experienced designers. This level of control ensures that all products are designed with both ease of installation and safety in mind, whilst complying with all current specifications, standards and wiring regulations. Products in this catalogue are not binding and can change without prior notice.

Comprehensive Range

To complement our locally manufactured plugs and sockets we represent various well known branded manufacturers with a complimentary range of supplementary products. Therefore, we are in a position to supply virtually any plug and socket requirement "ex stock".

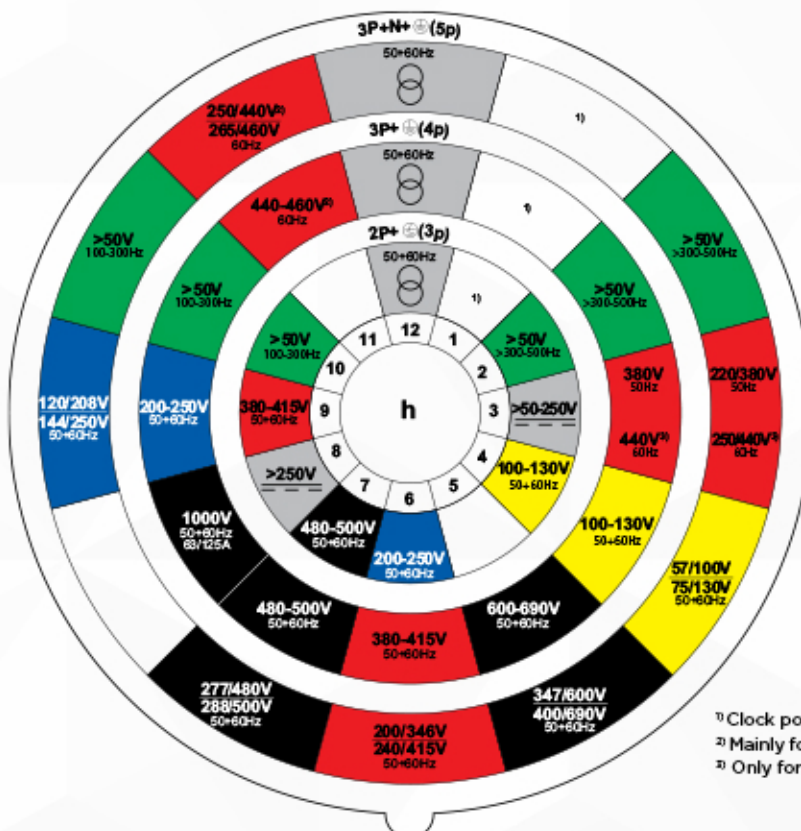
Technical Advice and Field Support

Our team of specialists are able to offer a full range of support services including:

- Technical advice and back-up
- Applications and installation assistance
- Field Sales technical advice
- Our sales team is always ready to visit customers and to provide any installation guidance and advice.

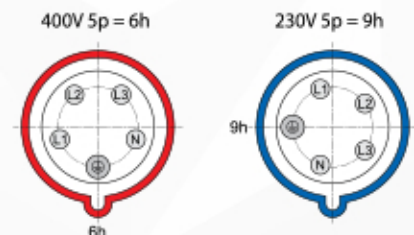
INTERNATIONAL RATING - SERIES I

for appliances >50V - details see table below



Position of the earthing contact.
View: frontside socket or coupler

Example:



¹⁾ Clock position not standardized and free for use for special applications

²⁾ Mainly for ship installations

³⁾ Only for refrigerated containers









CEE PLUGS & COUPLERS GRIP

230V-	400V-
--------------	--------------

50/60Hz 3p=6h 4p+5p=9h	50/60Hz 3p=9h 4p+5p=6h
------------------------------	------------------------------

Cat.No.	Cat.No.
----------------	----------------

	AMP	POLES	IP	Technical Pg.*	230V-	400V-
 <p>Plug GRIP</p>	16	5	44/54	32-A	A0153-9	A0153-6
	32	5	44/54	32-A	A0253-9	A0253-6
 <p>Plug GRIP TT</p> <p>TURBOclick TERMINAL</p>	16	5	44/54	32-B	A0153-9TT	A0153-6TT
	32	5	44/54	32-B	A0253-9TT	A0253-6TT
 <p>Coupler GRIP</p>	16	5	44/54	32-C	A2153-9	A2153-6
	32	5	44/54	32-C	A2253-9	A2253-6
 <p>Coupler GRIP TT</p> <p>TURBOclick TERMINAL</p>	16	5	44/54	32-D	A2153-9TT	A2153-6TT
	32	5	44/54	32-D	A2253-9TT	A2253-6TT
 <p>Phase Inverter Plug GRIP</p>	16	5	44/54	32-A		A70153-6
	32	5	44/54	32-A		A70253-6
 <p>Phase Inverter Plug GRIP TT</p> <p>TURBOclick TERMINAL</p>	16	5	44/54	32-B		A70153-6TT
	32	5	44/54	32-B		A70253-6TT

Central cable gland with internal strain relief for all common cable types, tool-free and captive

Cover operation ergonomically optimized for a convenient single-handed operation

New holding device with integrated retaining groove - multi usage









Rubberized grip area (2K) ergonomically shaped for secure hold

Closed multi-ramp locking with proven opening mechanism

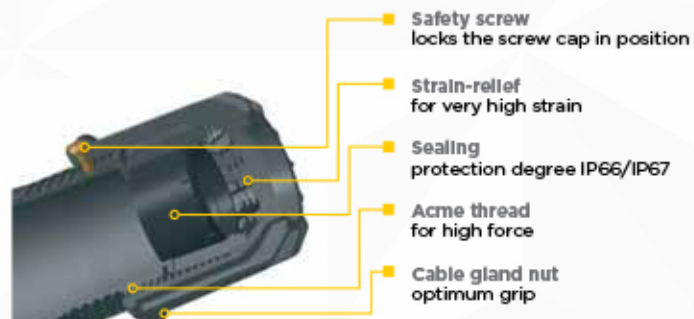
Increased protective strap for safe handling when plugging in and pulling out

CEE PLUGS

230V-		400V-		500V-		AMP	POLES	IP	Technical Pg.	
50/60Hz 3p=6h 4p+5p=9h	50/60Hz 3p=9h 4p+5p=6h	50Hz 7h 4p=7h								
Cat.No.	Cat.No.	Cat.No.								
A013-6	A013-9	A013-7				16	3	44	33-A	Plug SHARK 
A014-9	A014-6	A014-7				16	4	44	33-A	
A015-9	A015-6	A015-7				16	5	44	33-A	
A023-6	A023-9	A023-7				32	3	44	33-A	
A024-9	A024-6	A024-7				32	4	44	33-A	
A025-9	A025-6	A025-7				32	5	44	33-A	
A0132-6	A0132-9	A0132-7				16	3	66/67	33-B	Plug SHARK 
A0142-9	A0142-6	A0142-7				16	4	66/67	33-B	
A0152-9	A0152-6	A0152-7				16	5	66/67	33-B	
A0232-6	A0232-9	A0232-7				32	3	66/67	33-B	
A0242-9	A0242-6	A0242-7				32	4	66/67	33-B	
A0252-9	A0252-6	A0252-7				32	5	66/67	33-B	
A0331-6	A0331-9	A0331-7				63	3	44	33-C	Plug Includes "Pilot Pole" POWER TWIST 
A0341-9	A0341-6	A0341-7				63	4	44	33-C	
A0351-9	A0351-6	A0351-7				63	5	44	33-C	
A033-6	A033-9	A033-7				63	3	66/67	33-D	Plug Includes "Pilot Pole" POWER TWIST 
A034-9	A034-6	A034-7				63	4	66/67	33-D	
A035-9	A035-6	A035-7				63	5	66/67	33-D	
A043-6	A043-9	A043-7				125	3	66/67	34-A	
A044-9	A044-6	A044-7				125	4	66/67	34-A	
A045-9	A045-6	A045-7				125	5	66/67	34-A	
A8013-6	A8013-9	A8013-7				16	3	44	34-B	Angled Plug *Refer to technical section for angle size 
A8014-9	A8014-6	A8014-7				16	4	44	34-B	
A8015-9	A8015-6	A8015-7				16	5	44	34-B	
A8023-6	A8023-9	A8023-7				32	3	44	34-B	
A8024-9	A8024-6	A8024-7				32	4	44	34-B	
A8025-9	A8025-6	A8025-7				32	5	44	34-B	
A80132-6	A80132-9	A80132-7				16	3	67	34-C	Angled Plug *Refer to technical section for angle size 
A80142-9	A80142-6	A80142-7				16	4	67	34-C	
A80152-9	A80152-6	A80152-7				16	5	67	34-C	
A80232-6	A80232-9	A80232-7				32	3	67	34-C	
A80242-9	A80242-6	A80242-7				32	4	67	34-C	
A80252-9	A80252-6	A80252-7				32	5	67	34-C	

Time saving:

- Simple and fast insertion of the cable
- Strain-relief and sealing of the cable by tightening the cable gland
- All current cables for 63A from ø14,5mm to ø36mm for 125A from ø22,5mm to ø50mm
- 100% Tightness of the cable



CEE COUPLERS

230V-	400V-	500V-
50/60Hz 3p=6h 4p+5p=9h	50/60Hz 3p=9h 4p+5p=6h	50Hz 7h 4p=7h



**Coupler
Straight
SHARK**

AMP	POLES	IP	Technical Pg.:
16	3	44	35-A
16	4	44	35-A
16	5	44	35-A
32	3	44	35-A
32	4	44	35-A
32	5	44	35-A

Cat.No.	Cat.No.	Cat.No.
A213-6	A213-9	A213-7
A214-9	A214-6	A214-7
A215-9	A215-6	A215-7
A223-6	A223-9	A223-7
A224-9	A224-6	A224-7
A225-9	A225-6	A225-7



**Coupler
Straight
SHARK**





16	3	66/67	35-B
16	4	66/67	35-B
16	5	66/67	35-B
32	3	66/67	35-B
32	4	66/67	35-B
32	5	66/67	35-B

A2132-6	A2132-9	A2132-7
A2142-9	A2142-6	A2142-7
A2152-9	A2152-6	A2152-7
A2232-6	A2232-9	A2232-7
A2242-9	A2242-6	A2242-7
A2252-9	A2252-6	A2252-7

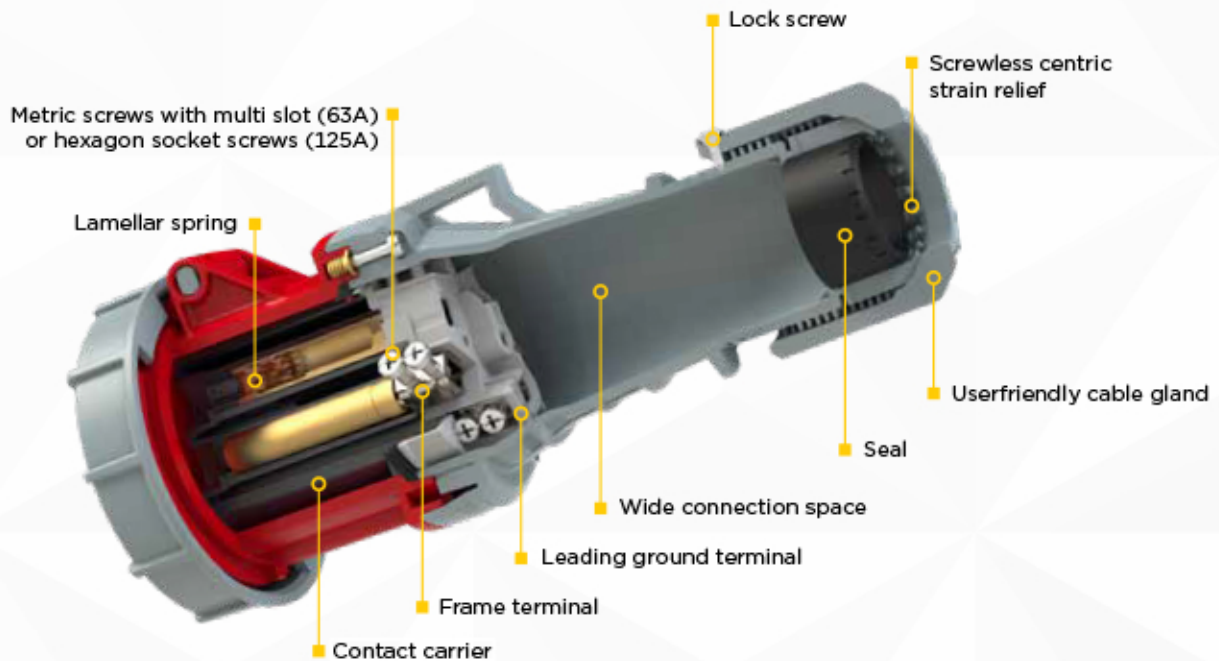




INVESTIMENTOS CEE COUPLERS

230V-		400V-		500V-		AMP	POLES	IP	Technical Pg.*	Coupler Includes "Pilot Contact"	
50/60Hz 3p=6h 4p+5p=9h	50/60Hz 3p=9h 4p+5p=6h	50Hz 7h 4p=7h	Cat.No.	Cat.No.	Cat.No.						
A23351-6	A23351-9	A23351-7	63	3	44	35-C	POWER TWIST	Coupler Includes "Pilot Contact"			
A23451-9	A23451-6	A23451-7	63	4	44	35-C					
A23551-9	A23551-6	A23551-7	63	5	44	35-C					
A2335-6	A2335-9	A2335-7	63	3	66/67	35-D	POWER TWIST	Coupler Includes "Pilot Contact"			
A2345-9	A2345-6	A2345-7	63	4	66/67	35-D					
A2355-9	A2355-6	A2355-7	63	5	66/67	35-D					
A2435-6	A2435-9	A2435-7	125	3	66/67	35-E	POWER TWIST	Coupler Includes "Pilot Contact"			
A2445-9	A2445-6	A2445-7	125	4	66/67	35-E					
A2455-9	A2455-6	A2455-7	125	5	66/67	35-E					

One contact for extreme environments



CEE FLANGED SOCKETS STRAIGHT

230V-	400V-	500V-
50/60Hz 3p=6h 4p+5p=9h	50/60Hz 3p=9h 4p+5p=6h	50Hz 7h 4p=7h
Cat.No.	Cat.No.	Cat.No.
A313-6f7	A313-9f7	A313-7f7
A314-9f7	A314-6f7	A314-7f7
A315-9f7	A315-6f7	A315-7f7
A323-6f7	A323-9f7	A323-7f7
A324-9f7	A324-6f7	A324-7f7
A325-9f7	A325-6f7	A325-7f7
A3335-6	A3335-9	A3335-7
A3345-9	A3345-6	A3345-7
A3355-9	A3355-6	A3355-7
A3335-6	A3335-9	A3335-7
A3345-9	A3345-6	A3345-7
A3355-9	A3355-6	A3355-7
A3435-6	A3435-9	A3435-7
A3445-9	A3445-6	A3445-7
A3455-9	A3455-6	A3455-7


Flanged Socket Straight

AMP	POLES	IP	Technical Pg. *
16	3	44	36-A
16	4	44	36-A
16	5	44	36-A
32	3	44	36-A
32	4	44	36-A
32	5	44	36-A

flange 75 x 75 - fixing center 60 x 60


Flanged Socket Straight

AMP	POLES	IP	Technical Pg. *
16	3	67	36-B
16	4	67	36-B
16	5	67	36-B
32	3	67	36-B
32	4	67	36-B
32	5	67	36-B

flange 75 x 75 - fixing center 60 x 60


Flanged Socket Straight
Includes "Pilot Contact"

POWER TWIST

AMP	POLES	IP	Technical Pg. *
63	3	44	36-C
63	4	44	36-C
63	5	44	36-C

flange 100 x 100 - fixing center 80 x 80


Flanged Socket Straight
Includes "Pilot Contact"

POWER TWIST

AMP	POLES	IP	Technical Pg. *
63	3	66/67	36-D
63	4	66/67	36-D
63	5	66/67	36-D

flange 100 x 100 - fixing center 80 x 80


Flanged Socket Straight
Includes "Pilot Contact"

POWER TWIST

AMP	POLES	IP	Technical Pg. *
125	3	66/67	36-E
125	4	66/67	36-E
125	5	66/67	36-E

flange 120 x 120 - fixing center 100 x 100






Conduit mounting box

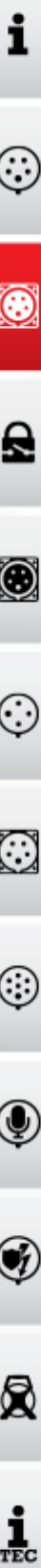


CEE socket outlet (i.e. 315-6f7)

Intermediate flange (810-00)

CEE FLANGED SOCKETS ANGLED

230V-	400V-	500V-				
50/60Hz 3p=6h 4p+5p=9h	50/60Hz 3p=9h 4p+5p=6h	50Hz 7h 4p=7h	AMP	POLES	IP	Technical Pg.°
Cat.No.	Cat.No.	Cat.No.				
A413-6f8	A413-9f8	A413-7f8	16	3	44	37-A
A414-9f8	A414-6f8	A414-7f8	16	4	44	37-A
A415-9	A415-6	A415-7	16	5	44	37-A
A423-6	A423-9	A423-7	32	3	44/54	37-A
A424-9	A424-6	A424-7	32	4	44/54	37-A
A425-9	A425-6	A425-7	32	5	44/54	37-A
			Flanged Socket Angled 20°  <p>flange 80 x 97 - fixing center 60 x 73</p>			
A4132-6f8	A4132-9f8	A4132-7f8	16	3	67	37-B
A4142-9f8	A4142-6f8	A4142-7f8	16	4	67	37-B
A4152-9f78	A4152-6f78	A4152-7f78	16	5	67	37-B
A4232-6f78	A4232-9f78	A4232-7f78	32	3	67	37-B
A4242-9f78	A4242-6f78	A4242-7f78	32	4	67	37-B
A4252-9f78	A4252-6f78	A4252-7f78	32	5	67	37-B
			Flanged Socket Angled 20°  <p>flange 80 x 97 - fixing center 60 x 73</p>			
A43351-6	A43351-9	A43351-7	63	3	44	37-C
A43451-9	A43451-6	A43451-7	63	4	44	37-C
A43551-9	A43551-6	A43551-7	63	5	44	37-C
			Flanged Socket Angled 20° Includes "Pilot Contact" POWER TWIST  <p>flange 100 x 112 - fixing center 80 x 88</p>			
A4335-6	A4335-9	A4335-7	63	3	67	37-D
A4345-9	A4345-6	A4345-7	63	4	67	37-D
A4355-9	A4355-6	A4355-7	63	5	67	37-D
			Flanged Socket Angled 15° Includes "Pilot Contact" POWER TWIST  <p>flange 100 x 112 - fixing center 80 x 88</p>			
A4435-6	A4435-9	A4435-7	63	3	125	37-E
A4445-9	A4445-6	A4445-7	63	4	125	37-E
A4455-9	A4455-6	A4455-7	63	5	125	37-E
			Flanged Socket Angled 15° Includes "Pilot Contact" POWER TWIST  <p>flange 120 x 130 - fixing center 100 x 108</p>			



SWITCHED INTERLOCKED SOCKETS COMPACT SERIES

230V-	400V-	500V-
50/60Hz 3p=6h 4p+5p=9h	50/60Hz 3p=9h 4p+5p=6h	50Hz 7h 4p=7h
Cat.No.	Cat.No.	Cat.No.
A6013-6 A6014-9 A6015-9	A6013-9 A6014-6 A6015-6	A6013-7 A6014-7 A6015-7
A6023-6 A6024-9 A6025-9	A6023-9 A6024-6 A6025-6	A6023-7 A6024-7 A6025-7
A60132-6 A60142-9 A60152-9	A60132-9 A60142-6 A60152-6	A60132-7 A60142-7 A60152-7
A60232-6 A60242-9 A60252-9	A60232-9 A60242-6 A60252-6	A60232-7 A60242-7 A60252-7
A6113-6k A6114-9k A6115-9k	A6113-9k A6114-6k A6115-6k	A6113-7k A6114-7k A6115-7k
A6123-6k A6124-9k A6125-9k	A6123-9k A6124-6k A6125-6k	A6123-7k A6124-7k A6125-7k
A61132-6k A61142-9k A61152-9k	A61132-9k A61142-6k A61152-6k	A61132-7k A61142-7k A61152-7k
A61232-6k A61242-9k A61252-9k	A61232-9k A61242-6k A61252-6k	A61232-7k A61242-7k A61252-7k



Switched Interlocked Socket - Panel Mounting

AMP	POLES	IP	Technical Pg.
16	3	44	38-A
16	4	44	38-A
16	5	44	38-A
32	3	44	38-A
32	4	44	38-A
32	5	44	38-A



Switched Interlocked Socket - Panel Mounting

AMP	POLES	IP	Technical Pg.
16	3	67	38-B
16	4	67	38-B
16	5	67	38-B
32	3	67	38-B
32	4	67	38-B
32	5	67	38-B



Switched Interlocked Socket - Wall Mounting

AMP	POLES	IP	Technical Pg.
16	3	44	38-C
16	4	44	38-C
16	5	44	38-C
32	3	44	38-C
32	4	44	38-C
32	5	44	38-C



Switched Interlocked Socket - Wall Mounting

AMP	POLES	IP	Technical Pg.
16	3	67	38-D
16	4	67	38-D
16	5	67	38-D
32	3	67	38-D
32	4	67	38-D
32	5	67	38-D

NOTE: For container plugs and sockets see pages 17 and 18

Technical data:

- switched interlocked socket for panel/wall mounting
- 16A and 32A; 3-, 4- and 5 poles
- IP44/54 and IP66/67
- ON/OFF switch PCE-Merz ML0; EN 60947-3: AC22A; 10 kA
- large connecting area
- enclosure made of shock-resistant thermoplastic material
- approved acc. to EN 60309, ÖVE



SWITCHED INTERLOCKED SOCKETS WALL MOUNTING

230V-	400V-	500V-
-------	-------	-------

50/60Hz 3p=6h 4p+5p=9h	50/60Hz 3p=9h 4p+5p=6h	50Hz 7h 4p=7h
------------------------------	------------------------------	---------------------

Cat.No.	Cat.No.	Cat.No.
A7513-6	A7513-9	A7513-7
A7514-9	A7514-6	A7514-7
A7515-9	A7515-6	A7515-7
A7523-6	A7523-9	A7523-7
A7524-9	A7524-6	A7524-7
A7525-9	A7525-6	A7525-7

AMP	POLES	IP	Technical Pg. *
16	3	44	39-A
16	4	44	39-A
16	5	44	39-A
32	3	44	39-A
32	4	44	39-A
32	5	44	39-A

Switched Interlocked Socket
- Wall Mounting



A75132-6	A75132-9	A75132-7
A75142-9	A75142-6	A75142-7
A75152-9	A75152-6	A75152-7
A75232-6	A75232-9	A75232-7
A75242-9	A75242-6	A75242-7
A75252-9	A75252-6	A75252-7

AMP	POLES	IP	Technical Pg. *
16	3	67	39-B
16	4	67	39-B
16	5	67	39-B
32	3	67	39-B
32	4	67	39-B
32	5	67	39-B

Switched Interlocked Socket
- Wall Mounting



NOTE: For container plugs and sockets see pages 17 and 18

- On-/Off switch PCE-MERZ MLO EN 60947-3; AC22A, 10kA
OPTION: PCE-MERZ ML1 EN 60947-3; AC22A, 10kA
- Mechanical interlock*
- Threaded insert top M25
Option: M32 or completely closed
- Large connection area
DIN-rail mounting, ready wired
- Threaded insert bottom 2xM25
Option: 2xM32 or completely closed
- Wall mounting outside of the protected electrical area
- Housing can be rotated by 180°
- Contact carrier system
simple accessibility for maintenance and the necessary check of the contacts



- Switching mechanism in the top cover
- Captive screws



Technical data:

- Switched interlocked socket
- 16A and 32A 3-, 4- and 5 poles
- IP44/54 and IP66/67
- ON/OFF switch PCE-Merz MLO; EN 60947-3; AC22A, 10kA
- Large connection area
- Enclosure made of shock-resistant thermoplastic material
- Approved acc. to EN60309, ÖVE

SWITCHED INTERLOCKED SOCKETS FOR WALL MOUNTING

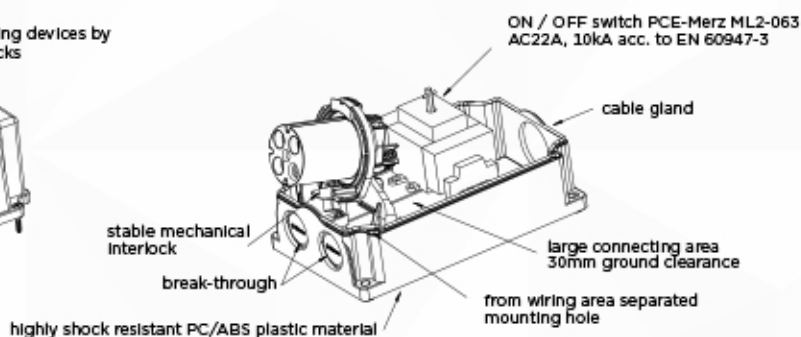
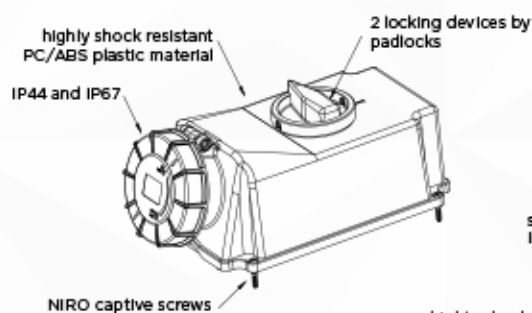


Switched Interlocked Socket
Includes "Pilot Contact"

AMP	POLES	IP	Technical Pg.:
63	3	66/67	40-A
63	4	66/67	40-A
63	5	66/67	40-A

230V-	400V-	500V-
50/60Hz 3p=6h 4p+5p=9h	50/60Hz 3p=9h 4p+5p=6h	50Hz 7h 4p=7h
Cat.No.	Cat.No.	Cat.No.
A753325-6	A753325-9	A753325-7
A753425-9	A753425-6	A753425-7
A753525-9	A753525-6	A753525-7

63A version



Technical data:

- 63A 3-, 4- and 5 poles
- Terminals max. 25/35mm²
- Multiple cable entry options
- Degree of protection IP66/67
- Main switch PCE Merz ML2-063
 - category AC22A, 690V (AC3, 690V, 3-, 22kW)
 - rated conditional short-circuit-current 10kA
 - mechanical life of 30.000 cycles
- Approved acc. to EN6039 ÖVE

SWITCHED INTERLOCKED SOCKETS FOR WALL MOUNTING

mechanical or electric interlock, lockable by padlock

230V-	400V-	500V-
50/60Hz 3p=6h 4p+5p=9h	50/60Hz 3p=9h 4p+5p=6h	50Hz 7h 4p=7h

Cat.No.	Cat.No.	Cat.No.
A9755102	A9755091	A9755101
A9755096	A9755099	A9755098
A9755105	A9755100	A9755103
-	-	-
-	A9755112	-
-	A9755111	-

AMP	POLES	IP	Technical Pg.:
125	3	67	41-A
125	4	67	41-A
125	5	67	41-A
125	3	67	41-A
125	4	67	41-A
125	5	67	41-A

Switched Interlocked Socket



Switched Interlocked Socket

Includes "Pilot Contact"

Switched Interlocked Socket
"Electrical Interlock"



Switched Interlocked Socket
"Electrical Interlock"



Customised designs on request.

Technical data:

- 125A 3-, 4- and 5 poles
- terminals max. 70/50mm²
- cable gland M50 (cable diameter 32-38mm)
- degree of protection IP66 or 67
- circuit breaker PCE Merz ML3
 - category AC22A, 60V (AC3, 690V, 3-, 45kW)
 - rated conditional short-circuit-current 10kA
 - mechanical life of 30.000 cycles
- approved acc. to EN60309, ÖVE

SWITCHED INTERLOCKED SOCKETS

- with DIN MCB Facility

mechanical interlock, lockable by padlock



Switched Interlocked Socket 5 DIN Module with window

AMP	POLES	IP	Technical Pg.*	230V-	400V-	500V-
				Cat.No.	Cat.No.	Cat.No.
16	3	44/54	42-A	50/60Hz 3p=6h 4p+5p=9h	50/60Hz 3p=9h 4p+5p=6h	50Hz 7h 4p=7h
16	4	44/54	42-A	A7613-6	A7613-9	A7613-7
16	5	44/54	42-A	A7614-9	A7614-6	A7614-7
16	5	44/54	42-A	A7615-9	A7615-6	A7615-7
32	3	44/54	42-A	A7623-6	A7623-9	A7623-7
32	4	44/54	42-A	A7624-9	A7624-6	A7624-7
32	5	44/54	42-A	A7625-9	A7625-6	A7625-7



Switched Interlocked Socket 5 DIN Module with window

16	3	66/67	42-B	A76132-6	A76132-9	A76132-7
16	4	66/67	42-B	A76142-9	A76142-6	A76142-7
16	5	66/67	42-B	A76152-9	A76152-6	A76152-7
32	3	66/67	42-B	A76232-6	A76232-9	A76232-7
32	4	66/67	42-B	A76242-9	A76242-6	A76242-7
32	5	66/67	42-B	A76252-9	A76252-6	A76252-7



Switched Interlocked Socket 5 DIN Module with window
Includes "Pilot Contact"

63	3	66/67	42-C	A763325-6	A763325-9	A763325-7
63	4	66/67	42-C	A763425-9	A763425-6	A763425-7
63	5	66/67	42-C	A763525-9	A763525-6	A763525-7



CEE WALL SOCKETS UNSWITCHED

230V-	400V-	500V-
50/60Hz 3p=6h 4p+5p=9h	50/60Hz 3p=9h 4p+5p=6h	50Hz 7h 4p=7h

Cat.No.	Cat.No.	Cat.No.
A113-6	A113-9	A113-7
A114-9	A114-6	A114-7
A115-9	A115-6	A115-7
A123-6	A123-9	A123-7
A124-9	A124-6	A124-7
A125-9	A125-6	A125-7

AMP	POLES	IP	Technical Pg.*
16	3	44	43-A
16	4	44	43-A
16	5	44	43-A
32	3	44	43-A
32	4	44	43-A
32	5	44	43-A

Wall Socket
15°



A1132-6	A1132-9	A1132-7
A1142-9	A1142-6	A1142-7
A1152-9	A1152-6	A1152-7
A1232-6	A1232-9	A1232-7
A1242-9	A1242-6	A1242-7
A1252-9	A1252-6	A1252-7

16	3	67	43-B
16	4	67	43-B
16	5	67	43-B
32	3	67	43-B
32	4	67	43-B
32	5	67	43-B

Wall Socket
15°



A75133-6	A75133-9	A75133-7
A75143-9	A75143-6	A75143-7
A75153-9	A75153-6	A75153-7
A75233-6	A75233-9	A75233-7
A75243-9	A75243-6	A75243-7
A75253-9	A75253-6	A75253-7

16	3	44	43-C
16	4	44	43-C
16	5	44	43-C
32	3	44	43-C
32	4	44	43-C
32	5	44	43-C

Socket Outlet
DIN 5 Module
with window



A751323-6	A751323-9	A751323-7
A751423-9	A751423-6	A751423-7
A751523-9	A751523-6	A751523-7
A752323-6	A752323-9	A752323-7
A752423-9	A752423-6	A752423-7
A752523-9	A752523-6	A752523-7

16	3	67	43-D
16	4	67	43-D
16	5	67	43-D
32	3	67	43-D
32	4	67	43-D
32	5	67	43-D

Socket Outlet
DIN 5 Module
with window



CEE WALL SOCKETS UNSWITCHED

230V-	400V-	500V-
50/60Hz 3p=6h 4p+5p=9h	50/60Hz 3p=9h 4p+5p=6h	50Hz 7h 4p=7h



Wall Socket
Includes
"Pilot Contact"

**POWER
TWIST**

Basic unit HxWxD = 170x118x173; 1xM40; 2xM32 Entry

AMP.	POLES	IP	Technical Pg.*
63	3	66/67	44-A
63	4	66/67	44-A
63	5	66/67	44-A

Cat.No.	Cat.No.	Cat.No.
A1335-6	A1335-9	A1335-7
A1345-9	A1345-6	A1345-7
A1355-9	A1355-6	A1355-7



Wall Socket
Includes
"Pilot Contact"

**POWER
TWIST**

Basic unit HxWxD = 262x162x195; 1xM40; 2xØ40 Entry

63	3	66/67	44-B
63	4	66/67	44-B
63	5	66/67	44-B

A13375-6	A13375-9	A13375-7
A13475-9	A13475-6	A13475-7
A13575-9	A13575-6	A13575-7



Wall Socket
Includes
"Pilot Contact"

**POWER
TWIST**

Basic unit HxWxD = 262x162x205
3-pole: 1xØ50 & 2xØ40 Entry
4- & 5-pole: 1xM63 & 2xØ40 Entry

125	3	66/67	44-C
125	4	66/67	44-C
125	5	66/67	44-C

A1435-6	A1435-9	A1435-7
A1445-9	A1445-6	A1445-7
A1455-9	A1455-6	A1455-7

Advantages:






Housing can be rotated by 180° - the position of the cable entry can be chosen!



440V~
CEE CONTAINER PLUGS, COUPLERS AND SOCKETS

60Hz

3h

Cat.No.	AMP	POLES	IP	Technical Pg.*	
A0242-3v	32	4	67	45-A	Container Plug SHARK 
A2242-3v	32	4	67	45-B	Container Coupler SHARK 
A1242-3v	32	4	67	45-C	Container Wall Socket 
A3242-3v	32	4	67	45-D	Container Flanged Socket Straight  <p>flange 75 x 75 - fixing center 60 x 60</p>
A4242-3f78v	32	4	67	45-E	Container Flanged Socket Angled  <p>flange 80 x 97 - fixing center 60 x 75</p>



CEE CONTAINER SWITCHED INTERLOCKED SOCKETS

440V-

 60Hz
3h

Cat.No.
A75242-3


Container Switched Interlocked Socket

AMP	POLES	IP	Technical Pg.*
32	4	67	46-A



Container Switched Interlocked Socket with Fuse DIN 5 Module with Window

32	4	67	46-B
----	---	----	------

A78242-3


Container Switched Interlocked Socket with DIN Rail DIN 5 Module with Window

32	4	67	46-C
----	---	----	------

A76242-3


Compact Container Switched Interlocked Socket - Wall mounting

32	4	67	46-D
----	---	----	------

A61242-3


Compact Container Switched Interlocked Socket - Wall mounting with knock-out

32	4	67	46-E
----	---	----	------

A61242-3k

CEE FLANGED APPLIANCE INLET

230V-	400V-	500V-
50/60Hz 3p=6h 4p+5p=9h	50/60Hz 3p=9h 4p+5p=6h	50Hz 7h 4p=7h

Cat.No.	Cat.No.	Cat.No.
A613-6	A613-9	A613-7
A614-9	A614-6	A614-7
A615-9	A615-6	A615-7
A623-6	A623-9	A623-7
A624-9	A624-6	A624-7
A625-9	A625-6	A625-7

AMP	POLES	IP	Technical Pg.:
16	3	44	47-A
16	4	44	47-A
16	5	44	47-A
32	3	44	47-A
32	4	44	47-A
32	5	44	47-A

**Flanged Inlet
Straight**


flange 70 x 70 - fixing center 56 x 56

A6132-6	A6132-9	A6132-7
A6142-9	A6142-6	A6142-7
A6152-9	A6152-6	A6152-7
A6232-6	A6232-9	A6232-7
A6242-9	A6242-6	A6242-7
A6252-9	A6252-6	A6252-7

16	3	67	47-B
16	4	67	47-B
16	5	67	47-B
32	3	67	47-B
32	4	67	47-B
32	5	67	47-B

**Flanged Inlet
Straight**


flange 75 x 75 - fixing center 60 x 60

A77713-6	A77713-9	A77713-7
A77714-9	A77714-6	A77714-7
A77715-9	A77715-6	A77715-7
A77723-6	A77723-9	A77723-7
A77724-9	A77724-6	A77724-7
A77725-9	A77725-6	A77725-7

16	3	44	47-C
16	4	44	47-C
16	5	44	47-C
32	3	44	47-C
32	4	44	47-C
32	5	44	47-C

**Flanged Inlet
Angled
12°**


-
-
-
-
-
-
-
-

CEE FLANGED APPLIANCE INLET

230V-	400V-	500V-
-------	-------	-------

50/60Hz 3p=6h 4p+5p=9h	50/60Hz 3p=9h 4p+5p=6h	50Hz 7h 4p=7h
------------------------------	------------------------------	---------------------

Cat.No.	Cat.No.	Cat.No.
---------	---------	---------



Flanged Plug Straight
Includes
"Pilot Pole"

POWER
TWIST

flange 100 x 100 - fixing center 80 x 80

AMP	POLES	IP	Technical Pg.*
63	3	44	47-D
63	4	44	47-D
63	5	44	47-D

A6331-6k	A6331-9k	A6331-7k
A6341-9k	A6341-6k	A6341-7k
A6351-9k	A6351-6k	A6351-7k

A6331-9k	A6331-7k
A6341-6k	A6341-7k
A6351-6k	A6351-7k

A6331-7k
A6341-7k
A6351-7k



Flanged Plug Straight
Includes
"Pilot Pole"

POWER
TWIST

flange 100 x 100 - fixing center 80 x 80

AMP	POLES	IP	Technical Pg.*
63	3	66/67	48-A
63	4	66/67	48-A
63	5	66/67	48-A

A633-6	A633-9	A633-7
A634-9	A634-6	A634-7
A635-9	A635-6	A635-7

A633-9	A633-7
A634-6	A634-7
A635-6	A635-7

A633-7
A634-7
A635-7



Flanged Plug Straight
Includes
"Pilot Pole"

POWER
TWIST

flange 120 x 120 - fixing center 100 x 100

AMP	POLES	IP	Technical Pg.*
125	3	66/67	48-B
125	4	66/67	48-B
125	5	66/67	48-B

A643-6	A643-9	A643-7
A644-9	A644-6	A644-7
A645-9	A645-6	A645-7

A643-9	A643-7
A644-6	A644-7
A645-6	A645-7

A643-7
A644-7
A645-7

SAFETY

Lamellar spring

- Low insertion and extraction forces
- Minimum contact resistance
- Self-cleaning
- Optimum contact - at least 10 contact points

TWIST-cable gland

- Secures the cable firmly in position
- Protects from water and dust
- Safety screw locks the screw cap in position

HEAVY DUTY

- For extreme environments
- Exceptional high impact resistance
- Extreme heat resistant contact carriers
- Anti-corrosion contacts
- Offers protection in aggressive atmospheres, e.g. in chemical plants

TIME SAVING

- TWIST-cable gland
- Optimum grip

POWER TWIST



CEE FLANGED APPLIANCE INLET

230V-	400V-	500V-
50/60Hz 3p=6h 4p+5p=9h	50/60Hz 3p=9h 4p+5p=6h	50Hz 7h 4p=7h

Cat.No.	Cat.No.	Cat.No.
A733-6	A733-9	A733-7
A734-9	A734-6	A734-7
A735-9	A735-6	A735-7

AMP	POLES	IP	Technical Pg.
63	3	66/67	48-C
63	4	66/67	48-C
63	5	66/67	48-C

**Flanged Plug
Angled
15°**
Includes
"Pilot Pole"



**POWER
TWIST**

flange 100 x 112 - fixing center 80 x 88

A743-6	A743-9	A743-7
A744-9	A744-6	A744-7
A745-9	A745-6	A745-7

125	3	66/67	48-D
125	4	66/67	48-D
125	5	66/67	48-D

**Flanged Plug
Angled
15°**
Includes
"Pilot Pole"



**POWER
TWIST**

flange 120 x 130 - fixing center 100 x 108

A7733-6k	A7733-9k	A7733-7k
A7734-9k	A7734-6k	A7734-7k
A7735-9k	A7735-6k	A7735-7k

63	3	66/67	49-A
63	4	66/67	49-A
63	5	66/67	49-A

**Flanged Plug
Compact**
Includes
"Pilot Pole"



**POWER
TWIST**

flange 116 x 91 - fixing center 95 x 70

Connection types:

Screw terminal:
16/32A



Screw terminal

- accessible from one direction
- screws captive and open
- screws with multi slot

**TURBO
TERMINALS**

Screwless terminal:
16/32A



Screwless terminal

- time saving
- screwless TT-terminal
- open contact terminals = ready for assembly
- fast cable installation
- simple closing and opening

**POWER
TWIST**

Contact frame:
63/125A



Contact frame





- perfect clamping
- protection of the cables
- screws with multi slot (63A)
- hexagon socket screws (125A)

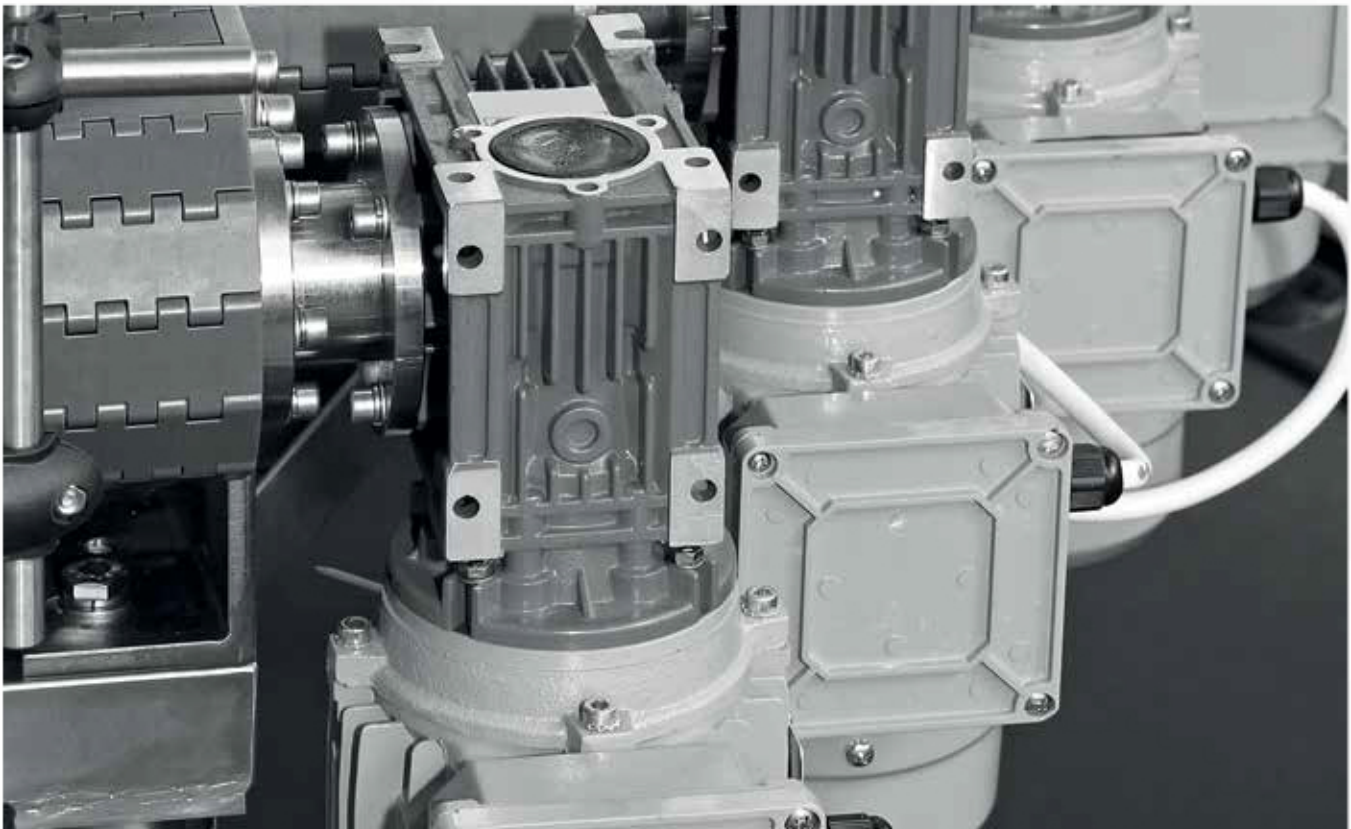
PLUGS AND SOCKETS 7-POLES












		230V-	400V-	500V-		
		50/60Hz 9h	50/60Hz 6h	50Hz 7h		
		Cat.No.	Cat.No.	Cat.No.		
 Plug	AMP	16	32			
	POLES	7	7			
	IP	44/54	44/54			
	Technical Pg.*	50-A	50-A			
 Plug	AMP	16	32			
	POLES	7	7			
	IP	66/67	66/67			
	Technical Pg.*	50-B	50-B			
 Flanged Inlet Straight	AMP	16	32			
	POLES	7	7			
	IP	44/54	44/54			
	Technical Pg.*	50-C	50-C			
Flange 70 x 70 - Fixing center: 56 x 56		 Flanged Inlet Straight	AMP	16	32	
			POLES	7	7	
		IP	66/67	66/67		
		Technical Pg.*	50-D	50-D		
Flange 75 x 75 - Fixing center: 60 x 60		 Wall Mounted Inlet	AMP	16	32	
			POLES	7	7	
		IP	44/54	44/54		
		Technical Pg.*	50-E	50-E		
 Wall Mounted Inlet	AMP	16	32			
	POLES	7	7			
	IP	66/67	66/67			
	Technical Pg.*	51-A	51-A			



PLUGS AND SOCKETS 7-POLES

230V-		400V-		500V-						
50/60Hz 9h		50/60Hz 6h		50Hz 7h		Amp	Poles	IP	Technica Pg.*	
Cat.No.	Cat.No.	Cat.No.	Cat.No.	Cat.No.	Cat.No.					
A217-9v	A217-6v	A217-7v				16	7	44/54	51-B	Coupler 
A227-9v	A227-6v	A227-7v				32	7	44/54	51-B	
A2172-9v	A2172-6v	A2172-7v				16	7	66/67	51-C	Coupler 
A2272-9v	A2272-6v	A2272-7v				32	7	66/67	51-C	
A8217-9v	A8217-6v	A8217-7v				16	7	44/54	51-D	Angled Coupler *Refer to technical section for angle size 
A8227-9v	A8227-6v	A8227-7v				32	7	44/54	51-D	
A82172-9v	A82172-6v	A82172-7v				16	7	66/67	51-E	Angled Coupler 
A82272-9v	A82272-6v	A82272-7v				32	7	66/67	51-E	



- 
- 
- 
- 
- 
- 
- 
- 
- 
- 
- 
- 

EVENT TECHNOLOGY MIDNIGHT-SERIES

230V-	400V-
50/60Hz 3p=6h 4p+5p=9h	50/60Hz 3p=9h 4p+5p=6h

Cat.No.	Cat.No.
A013-6x	A014-6X
	A015-6X
	A023-6x
A023-6x	A024-6X
	A025-6X


Plug

AMP	POLES	IP	Technical Pg.*
16	3	44	52-A
16	4	44	52-A
16	5	44	52-A
32	3	44	52-A
32	4	44	52-A
32	5	44	52-A


Plug
Includes
"Pilot Pole"

63	3	66/67	52-B
63	4	66/67	52-B
63	5	66/67	52-B
125	3	66/67	52-B
125	4	66/67	52-B
125	5	66/67	52-B

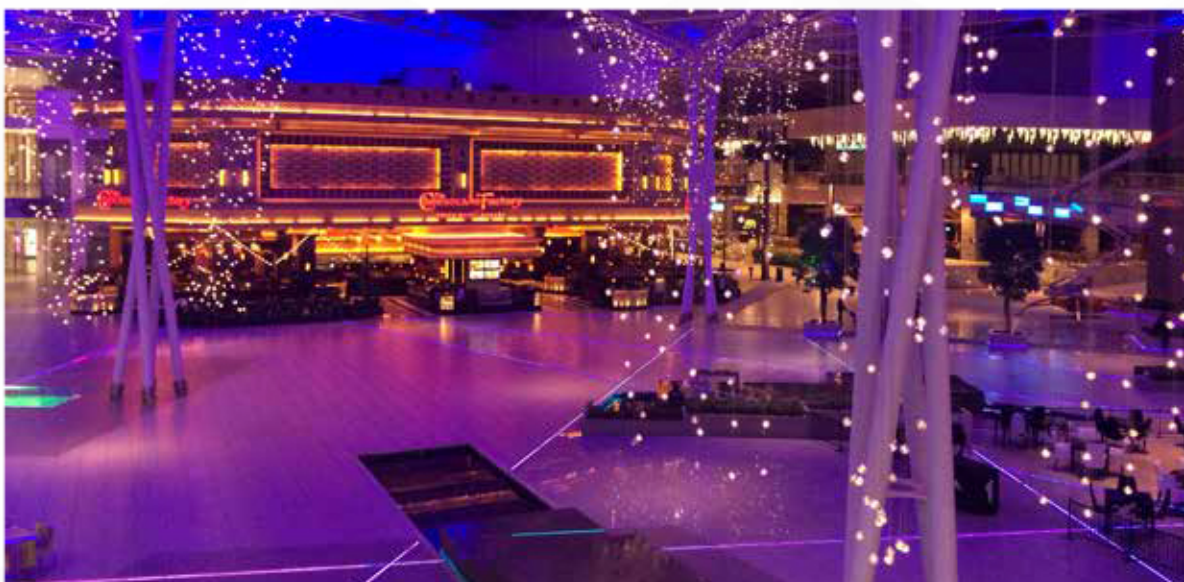
A033-6xs	A034-6xs
	A035-6xs
	A043-6xs
A043-6xs	A044-6xs
	A045-6xs


**Flanged Inlet
Straight**

16	3	44	52-C
16	4	44	52-C
16	5	44	52-C
32	3	44	52-C
32	4	44	52-C
32	5	44	52-C

A613-6x	A614-6X
	A615-6X
	A623-6x
A623-6x	A624-6X
	A625-6X

with flange 70 x 70 - fixing center 56 x 56



EVENT TECHNOLOGY MIDNIGHT-SERIES

230V-	400V-
50/60Hz 3p=6h 4p+5p=9h	50/60Hz 3p=9h 4p+5p=6h

Cat.No.	Cat.No.	AMP	POLES	IP	Technical Pg.
A213-6x		16	3	44	53-A
	A214-6x	16	4	44	53-A
	A215-6x	16	5	44	53-A
A223-6x		32	3	44	53-A
	A224-6x	32	4	44	53-A
	A225-6x	32	5	44	53-A

Coupler


A2335-6xs		63	3	66/67	53-B
	A2345-6xs	63	4	66/67	53-B
	A2355-6xs	63	5	66/67	53-B
A2435-6xs		125	3	66/67	53-B
	A2445-6xs	125	4	66/67	53-B
	A2455-6xs	125	5	66/67	53-B

Coupler
Includes
"Pilot Contact"


A313-6x		16	3	44	53-C
	A314-6x	16	4	44	53-C
	A315-6x	16	5	44	53-C
A323-6x		32	3	44	53-C
	A324-6x	32	4	44	53-C
	A325-6x	32	5	44	53-C

Flanged Inlet
Straight


with flange 70 x 70 - fixing center 56 x 56





INVESTIMENTOS

PRCD-S+ SAFETY PROTECTION DEVICES

PRCD-S+

The crucial **PLUS** in safety!

Mobile personal protection device to prevent electrical injury especially on construction sites.

Advantages and functions:

- 1 Before every switch-on procedure and during operation a **fully automatic** verification is performed in order to check the correct supply conditions. **The classic "test button" is eliminated.**
- 2 Measuring errors caused, for example, by the wearing of a glove when switching on are indicated by the signal unit flashing red. In this case, the **PRCD-S+** from PCE gives a visual warning and **does not switch on.**
- 3 The **LED signal unit** (red/green) visualizes error situations and offers a permanent status indication.
- 4 The PE conductor circuit is switched on in advance and switched off with a delay.
- 5 Failure situations like external voltage on the PE conductor or fault current above rated values cause an **interruption of L and N.** **The PE conductor stays closed** and keeps being monitored!
- 6 The integral surge voltage protection detects 400 VAC and 220 VDC and does not allow these to pass (a weak point occurs).
- 7 Undervoltage will be recognized and the **PRCD-S+** switches off.
- 8 The **PRCD-S+** recognises conductor interruptions or wiring errors from the source system.
- 9 The **PRCD-S+** from PCE is very handy and light weight, much simpler in comparison to an isolation transformer and cheaper in acquisition and usage.




PCE's **PRCD-S+** protects the user against incorrect electrical installations.

- ✓ N or L conductor interrupted
- ✓ External voltage on the PE conductor
- ✓ Surge voltage
- ✓ Wiring errors (L and PE conductor reversed)
- ✓ PE conductor interrupted
- ✓ Undervoltage or voltage failure
- ✓ DC voltage
- ✓ Fault currents with rated values of 30mA (or 10mA)

www.prcd-s.info



PRCD-S+ SAFETY PROTECTION DEVICES

230V-	AMP	POLES	IP	
50Hz				
Cat.No.				
A967011355	16		55	<p>PRCD-S+ Mobile Personal Protection Device</p> <ul style="list-style-type: none"> • for direct use inline with connection cords • Cable inline version PRCD-S+ 230V 16A 30mA IP55 
A9250027	16		44	<p>PRCD-S+ Safety Cable Reel XREEL®250 Device</p> <ul style="list-style-type: none"> • 25m H07RN-F 3G1,5 • 3x safety sockets (individually replaceable) with sealing bulge and self closing hinged lid 16A 250V, thermo protection switch and rubber safety plug (dual earthing system) • Including mobile personal protection device PRCD-S+16A 250V- 30mA, IP44 
A9350001-p	16		44	<p>PRCD-S+ Safety Cable Reel XREEL®310</p> <ul style="list-style-type: none"> • 40m H07RN-F 3G2,5 • 4x safety sockets (individually replaceable) with sealing bulge and self closing hinged lid 16A 250V, thermo protection switch, power indicator light and rubber safety plug (dual earthing system). • Including mobile personal protection device PRCD-S+ 16A 250V- 30mA, IP44 



THE BETTER CABLE REEL

XREEL®

Top carrying comfort
ergonomic handle

Central panel
different versions available

Safety
thermal circuit breaker,
operating display
(optional)

Water drainage
openings in the drum

Stable crank
perfect handling



This newly developed cable reel in different versions fits perfectly into the current requirements of household and industry. The series XREEL® offers a modern design in very high quality. Numerous functions and many new advantages.

XREEL® - The better cable reel.

- **Inherently durable and tough**
- **Carrying rack and drum made of special plastics**
- **Ergonomically formed handle**
- **Parking positions for the plug on both sides**
- **Brake mechanism patented**
- **Different central discs and cables available**
- **High impact resistance**



INVESTIMENTOS

XREEL®



Rugged cable reel
made of high quality plastic

Appealing design
modern geometry

Brake system
centric placed in
spindle

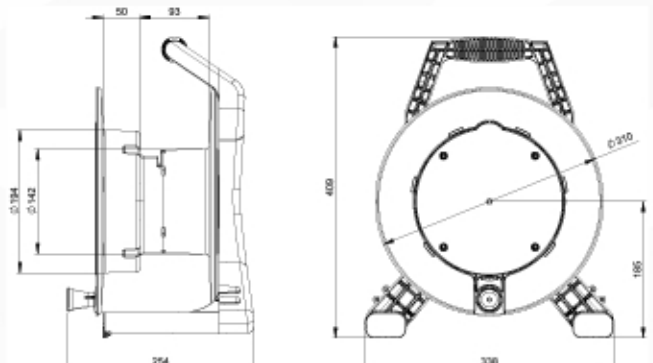
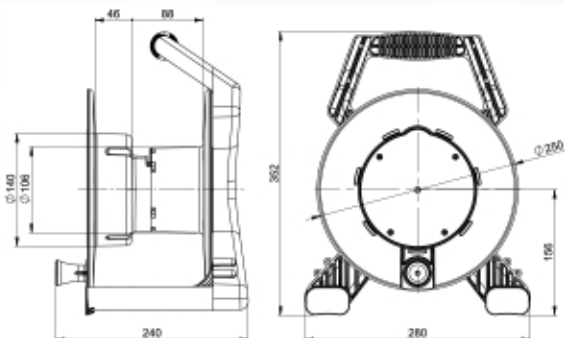
**Plug parking
spaces**
for safe storage
of the plug

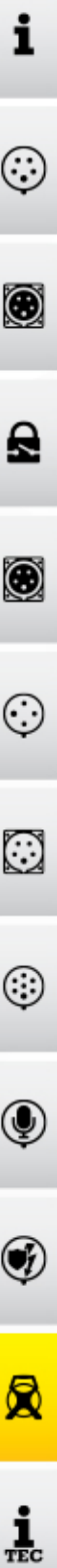
Reliable stand
due to wide
supporting points



XREEL® 250

XREEL® 310




Empty cable reel made of special plastics Ø250mm

Stable carrying rack with ergonomic handle made of extremely durable plastic, central brake mechanism as well as 2 parking positions for the plug.

(Empty reel with crank, cable entry and strain relief, screws for blind cover)

Description	Cat.No.
Empty reel 250 (without central panel), colour: black	A9250998-p
Blind cover 250 (undrilled, unequipped), colour: black	A925001


Empty cable reel made of special plastics Ø310mm

Stable carrying rack with ergonomic handle made of extremely durable plastic, central brake mechanism as well as 2 parking positions for the plug.

(Empty reel with crank, cable entry and strain relief, screws for blind cover)

Description	Cat.No.
Empty reel 310 (without central panel), colour: black	A8935098-p
Blind cover 310 (undrilled, unequipped), colour: black	Abk3031000


Recommended max. cable lengths [m] XREEL® 250 / 310

XREEL® 250 / 310	H05VV-F	H05RR-F	H07RN-F	N07V3V3-F	H07BQ-F
3G1,5	33 / 60	33 / 60	33 / 60	33 / 60	33 / 60
3G2,5	25 / 50	25 / 50	25 / 50	25 / 50	25 / 50
5G2,5	- / -	- / 33	- / 33	- / 33	- / 33

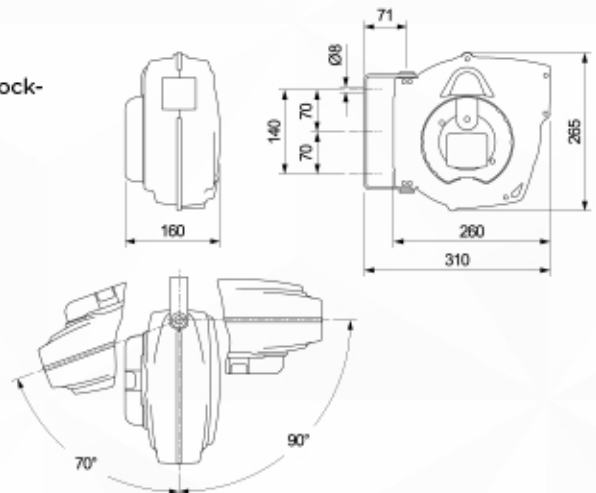
CABLE REWINDER / HOSE REWINDER



Cable revider JUNIOR 230

housing made of unbreakable plastic, with overload protection and disconnectable blocking device, for wall and ceiling mounting, Incl. safety plug and connector, TÜV-GS approved

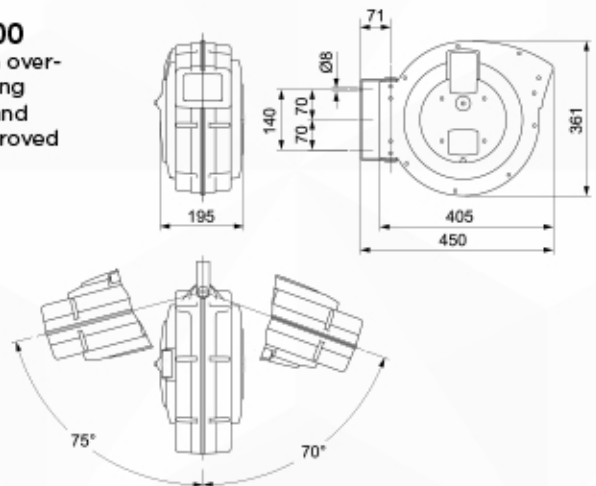
cable length:	10m
pull-out cable:	H05VV-F 3G1,5
rated voltage:	230V~
power (wound up/unwound):	800W/2000W
protection:	IP24
weight:	3,8 kg

A42170


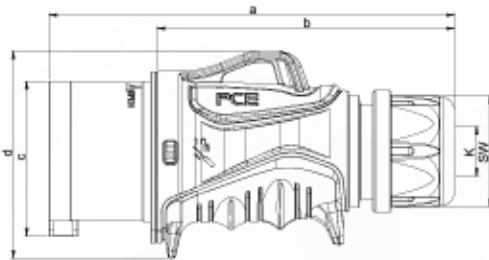
Cable revider MAJOR PLUS 400

housing made of unbreakable plastic, with overload protection and disconnectable blocking device, for wall mounting, incl. CEE-plug and CEE-connector 16A 5p 400V; TÜV-GS approved

cable length:	15m
pull-out cable:	H07RN-F 5G2,5
rated voltage:	400V~
power (wound up/unwound):	2800W/5000W
protection:	IP24
weight:	5,6 kg

A42285


CEE PLUGS & COUPLERS GRIP



Plug IP44/54

GRIP

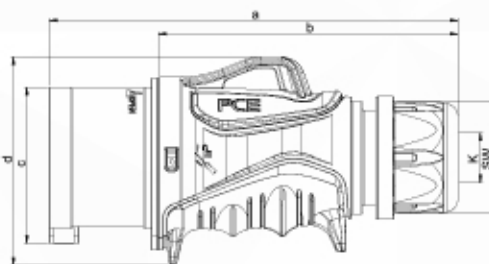
32-A

	16 Amp	32 Amp
Poles	5	5
a [mm]	157	182
b [mm]	117	134
c [mm]	61	70
d [mm]	79	93
K_cable Ø [mm]	8-16	11,5-22
Wire flexible [mm ²]	1-2,5	2,5-6
Contact screws [Ncm]	100	110
SW [mm]	42	50
Weight [g]	178 (180*)	271 (273*)

- with screw terminals
- housing material: 2K (PA6/TPE)
- contacts: brass
- to order nickel-plated contacts please add a "v" e.g. 0153-6v

IP44/54 splashproof

- *phase inverter:
- contacts: nickel plated



Plug IP44/54

GRIP TT

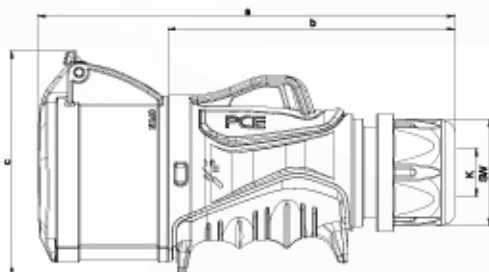
32-B

	16 Amp	32 Amp
Poles	5	5
a [mm]	157	182
b [mm]	117	134
c [mm]	61	70
d [mm]	79	93
K_cable Ø [mm]	8-16	11,5-22
Wire flexible [mm ²]	1-2,5	2,5-6
SW [mm]	42	50
Weight [g]	183 (183*)	280 (279*)

- screwless connection technology
- housing material: 2K (PA6 / TPE)
- contacts: brass
- to order nickel-plated contacts please add a "v" e.g. 0153-6TTv

IP44/54 splashproof

- *phase inverter:
- contacts: nickel plated
- L1, N, PE = screwless connecto (TT)
- L2, L3 = screw terminals



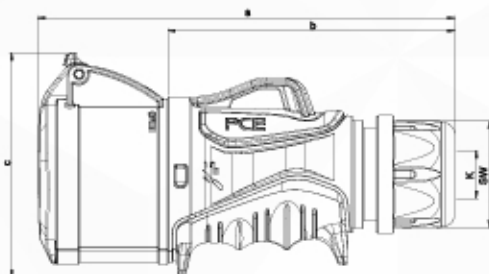
Coupler IP44/54

GRIP

32-C

	16 Amp	32 Amp
Poles	5	5
a [mm]	168	194
b [mm]	117	134
c [mm]	93	106
K_cable Ø [mm]	8-16	11,5-22
Wire flexible [mm ²]	1-2,5	2,5-6
Contact screws [Ncm]	100	110
SW [mm]	42	50
Weight [g]	211	313

- with screw terminals
- housing material: 2K (PA6/TPE)
- contacts: brass
- to order nickel-plated contacts please add a "v" e.g. 0153-6v

IP44/54 splashproof


Coupler IP44/54

GRIP TT

32-D

	16 Amp	32 Amp
Poles	5	5
a [mm]	168	194
b [mm]	117	134
c [mm]	93	106
K_cable Ø [mm]	8-16	11,5-22
Wire flexible [mm ²]	1-2,5	2,5-6
SW [mm]	42	50
Weight [g]	218	315

- screwless connection technology
- housing material: 2K (PA6 / TPE)
- contacts: brass
- to order nickel-plated contacts please add a "v" e.g. 0153-6TTv

IP44/54 splashproof

1

Central cable gland with internal strain relief for all common cable types

2

Hinged lid shape-optimized geometry

3

Locking mechanism closed multi-ramp locking system with proven opening mechanism

4

Cover operation for a convenient single-handed operation of the hinged lid - ergonomically optimized

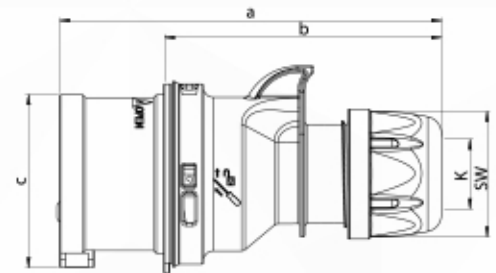
33-A

- with screw terminals
- housing material: PA6
- contacts: brass
 - to order nickel-plated contacts please add a "v" e.g. 015-6v

IP44 splashproof

Plug IP44 SHARK

Poles	16 Amp			32 Amp		
	3	4	5	3	4	5
a [mm]	122	128	134	150	150	155
b [mm]	86	92	96	104	104	109
c [mm]	47	53	61	63	63	70
K_cable Ø [mm]	6-15	6-15	8-16	11,5-20	11,5-20	11,5-22
Wire flexible [mm ²]	1-2,5			2,5-6		
Contact screws [Ncm]	100			110		
SW [mm]	42	42	42	50	50	50
Weight [g]	109	128	151	181	201	232

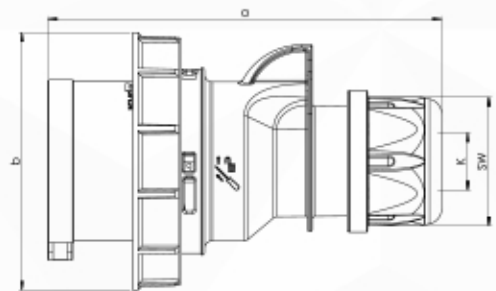

33-B

- with screw terminals
- housing material: PA6
- contacts: brass
 - to order nickel-plated contacts please add a "v" e.g. 0152-6v

IP66/67 watertight

Plug IP67 SHARK

Poles	16 Amp			32 Amp		
	3	4	5	3	4	5
a [mm]	122	128	134	150	150	155
b [mm]	71	79	87	93	93	100
K_cable Ø [mm]	6-15	6-15	8-16	11,5-20	11,5-20	11,5-22
Wire flexible [mm ²]	1-2,5			2,5-6		
Contact screws [Ncm]	100			110		
SW [mm]	42	42	42	50	50	50
Weight [g]	130	154	183	223	242	278

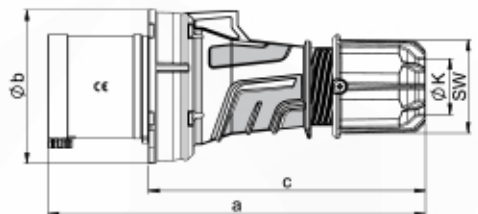

33-C

- contact frame with screws
- housing material: PA6
- contacts: nickel-plated contacts with pilot contact

IP44 splashproof

Plug IP44 POWER TWIST

Poles	63 Amp		
	3	4	5
a [mm]	250	250	250
b [mm]	102	102	102
c [mm]	184	184	184
K_cable Ø [mm]	14,5-36	14,5-36	14,5-36
Wire flexible [mm ²]	6-16		
Contact screws [Ncm]	200		
SW [mm]	61	61	61
Weight [g]	534	578	625

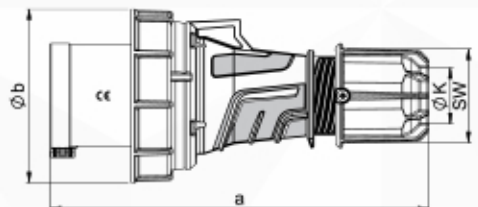

33-D

- contact frame with screws
- housing material: PA6
- contacts: nickel-plated contacts with pilot contact

IP66/67 watertight

Plug IP66/67 POWER TWIST

Poles	63 Amp		
	3	4	5
a [mm]	250	250	250
b [mm]	115	115	115
K_cable Ø [mm]	14,5-36	14,5-36	14,5-36
Wire flexible [mm ²]	6-16		
Contact screws [Ncm]	200		
SW [mm]	61	61	61
Weight [g]	574	621	670



MORE GRIP MORE POWER

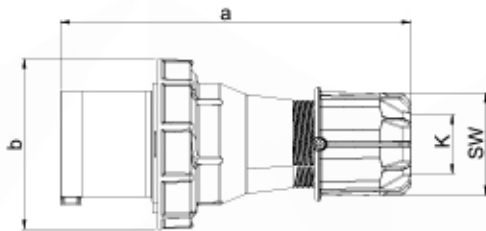
The new CEE plugs and connectors with rubberized surfaces provide more safety and perfect grip for all applications.

5
"Protective strap"
Increased protective strap for safe handling when plugging in and pulling out

6
Retaining groove
new holding device with integrated retaining groove - multi usage

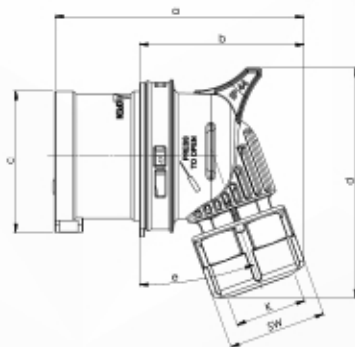
7
GRIP
ergonomically shaped grip area, secure hold - perfect for all applications

8
Cable gland nut
proven system for actuating the internal strain relief


Coupler IP66/67 POWER TWIST
34-A

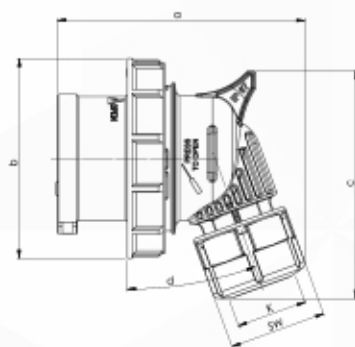
Poles	125 Amp		
	3	4	5
a [mm]	270	270	270
b [mm]	131	131	131
K_cable Ø [mm]	22,5-50	22,5-50	22,5-50
Wire flexible [mm ²]	16-50		
Contact screws [Ncm]	450		
SW [mm]	81	81	81
Weight [g]	966	1064	1169

- contact frame with hexagon socket screws
- housing material: PA6
- contacts: nickel-plated contacts with pilot contact

IP66/67 watertight

Angled Plug IP44 TWIST
34-B

Poles	16 Amp			32 Amp		
	3	4	5	3	4	5
a [mm]	96	96	108	127	127	135
b [mm]	59	62	71	82	82	90
e [mm]	47	53	61	63	63	70
d [mm]	82	87	99	111	111	114
e [°]	15	15	20	25	25	25
K_cable Ø [mm]	6-15	6-15	8-16	11,5-20	11,5-20	11,5-22
Wire flexible [mm ²]	1-2,5			2,5-6		
Contact screws [Ncm]	100			110		
SW [mm]	38	38	42	50	50	50
Weight [g]	107	130	155	174	194	236

- with screw terminals
- housing material
16/3 16/4: PA6
16/5 32/3 32/4 32/5: PC/ABS
- contacts: brass
- to order nickel-plated contacts please add a "v" e.g. 8015-6v

IP44 splashproof

Angled Plug IP67 TWIST
34-C

Poles	16 Amp			32 Amp		
	3	4	5	3	4	5
a [mm]	96	96	108	127	127	135
b [mm]	71	79	87	93	93	100
e [mm]	82	87	99	111	111	114
d [°]	15	15	20	25	25	25
K_cable Ø [mm]	6-15	6-15	8-16	11,5-20	11,5-20	11,5-22
Wire flexible [mm ²]	1-2,5			2,5-6		
Contact screws [Ncm]	100			110		
SW [mm]	38	38	42	50	50	50
Weight [g]	128	155	186	215	234	278

- with screw terminals
- housing material
16/3 16/4: PA6
16/5 32/3 32/4 32/5: PC/ABS
- contacts: brass
- to order nickel-plated contacts please add a "v" e.g. 80152-6v

IP67 watertight


CEE COUPLERS

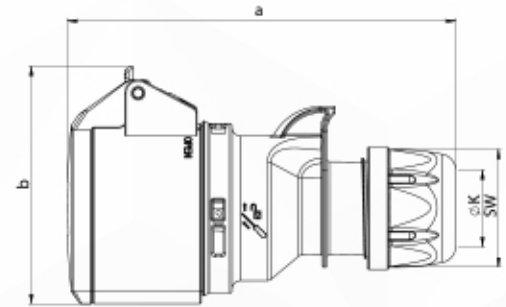
35-A

- with screw terminals
- housing material: PA6
- contacts: brass
- to order nickel-plated contacts please add a "v" e.g. 215-6v

IP44 splashproof

Coupler IP44 SHARK

Poles	16 Amp			32 Amp		
	3	4	5	3	4	5
a [mm]	133	138	145	161	161	168
b [mm]	74	82	89	94	94	99
K_cable Ø [mm]	6-15	6-15	8-16	11,5-20	11,5-20	11,5-22
Wire flexible [mm ²]	1-2,5			2,5-6		
Contact screws [Nm]	100			110		
SW [mm]	42	42	42	50	50	50
Weight [g]	134	161	188	228	244	270

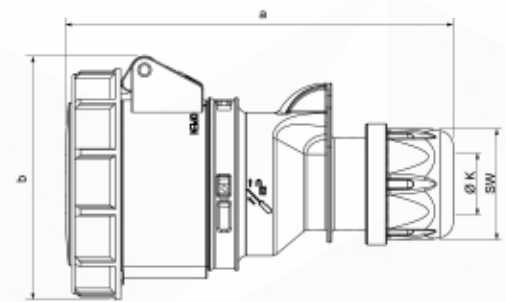

35-B

- with screw terminals
- housing material: PA6
- contacts: brass
- to order nickel-plated contacts please add a "v" e.g. 2152-6v

IP66/67 watertight

Coupler IP66/67 SHARK

Poles	16 Amp			32 Amp		
	3	4	5	3	4	5
a [mm]	132	139	147	163	163	171
b [mm]	78	84	92	96	96	102
K_cable Ø [mm]	6-15	6-15	8-16	11,5-20	11,5-20	11,5-22
Wire flexible [mm ²]	1-2,5			2,5-6		
Contact screws [Nm]	100			110		
SW [mm]	42	42	42	50	50	50
Weight [g]	155	188	227	275	292	338



CEE COUPLERS

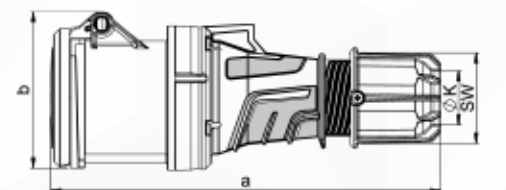
35-C

- contact frame with screws
- housing material: PA6
- contacts: brass with lamellar contact CuBe
- Includes pilot contact

IP44 splashproof

Coupler IP44 POWER TWIST

Poles	63 Amp		
	3	4	5
a [mm]	269	269	269
b [mm]	107	107	107
K_cable Ø [mm]	14,5-36	14,5-36	14,5-36
Wire flexible [mm ²]	6-16		
Contact screws [Nm]	200		
SW [mm]	61	61	61
Weight [g]	628	668	724

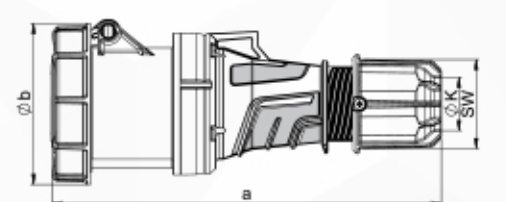

35-D

- contact frame with screws
- housing material: PA6
- contacts: brass with lamellar contact CuBe
- Includes pilot contact

IP66/67 watertight

Coupler IP66/67 POWER TWIST

Poles	63 Amp		
	3	4	5
a [mm]	269	269	269
b [mm]	114	114	114
K_cable Ø [mm]	14,5-36	14,5-36	14,5-36
Wire flexible [mm ²]	6-16		
Contact screws [Nm]	200		
SW [mm]	61	61	61
Weight [g]	673	714	772

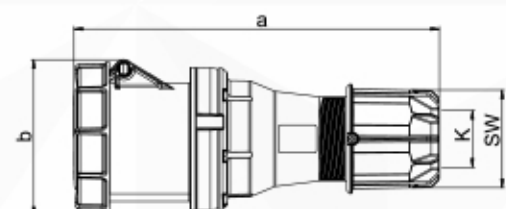

35-E

- contact frame with hexagon socket screws
- housing material: PA6
- contacts: brass with lamellar contact CuBe
- Includes pilot contact

IP66/67 watertight

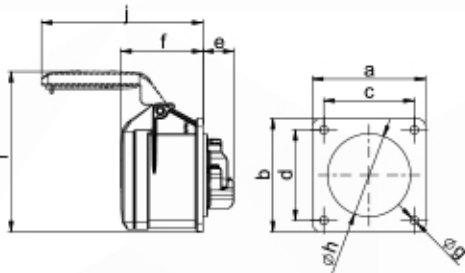
Coupler IP66/67 POWER TWIST

Poles	125 Amp		
	3	4	5
a [mm]	287	287	287
b [mm]	124	124	124
K_cable Ø [mm]	22,5-50	22,5-50	22,5-50
Wire flexible [mm ²]	16-50		
Contact screws [Nm]	450		
SW [mm]	81	81	81
Weight [g]	1080	1167	1286



CEE FLANGED SOCKETS STRAIGHT

Flanged socket straight IP44

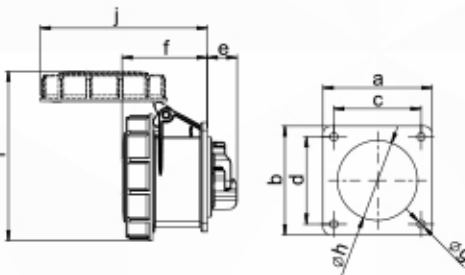
36-A


	16 Amp			32 Amp		
	3	4	5	3	4	5
Poles	3	4	5	3	4	5
Flange a x b [mm]	75	75	75	75	75	75
Fixing center c x d [mm]	60	60	60	60	60	60
e [mm]	21	21	21	23	23	23
f [mm]	55	55	55	67	67	67
g [mm]	5,5	5,5	5,5	5,5	5,5	5,5
h [mm]	43	45	55	55	55	58
i [mm]	89	104	107	112	112	108
j [mm]	101	101	107	122	122	136
Wire flexible [mm ²]	1-2,5			2,5-6		
Wire solid [mm ²]	1-4			2,5-10		
Contact screws [Ncm]	100			110		
Weight [g]	120	132	150	167	182	210

- with screw terminals
- housing material: PA6
- contacts: brass
- to order nickel-plated contacts please add a "v" e.g. 315-67v

IP44 splashproof
IP44/54 16/3 and 32/3 are splash- and dustproof

Flanged socket straight IP67

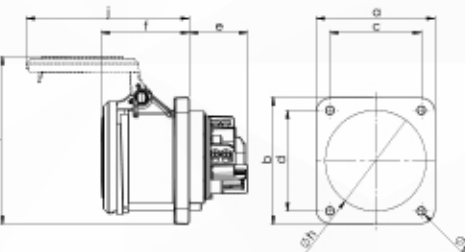
36-B


	16 Amp			32 Amp		
	3	4	5	3	4	5
Poles	3	4	5	3	4	5
Flange a x b [mm]	75	75	75	75	75	75
Fixing center c x d [mm]	60	60	60	60	60	60
e [mm]	21	21	21	23	23	23
f [mm]	56	57	59	69	69	71
g [mm]	5,5	5,5	5,5	5,5	5,5	5,5
h [mm]	43	45	55	55	55	58
i [mm]	102	108	117	122	122	130
j [mm]	101	109	115	130	130	136
Wire flexible [mm ²]	1-2,5			2,5-6		
Wire solid [mm ²]	1-4			2,5-10		
Contact screws [Ncm]	100			110		
Weight [g]	135	153	183	206	222	260

- with screw terminals
- housing material: PA6
- contacts: brass
- to order nickel-plated contacts please add a "v" e.g. 3152-6v

IP67 watertight

Flanged socket straight IP44 POWER TWIST

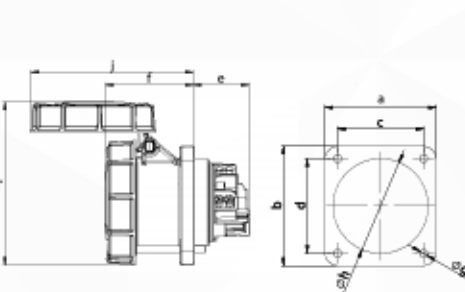
36-C


	63 Amp		
	3	4	5
Poles	3	4	5
Flange a [mm]	100	100	100
Flange b [mm]	100	100	100
Fixing center c [mm]	80	80	80
Fixing center d [mm]	80	80	80
e [mm]	50	50	50
f [mm]	75	75	75
g [mm]	7	7	7
h [mm]	85	85	85
i [mm]	138	138	138
j [mm]	138	138	138
Wire flexible [mm ²]	6-16		
Wire solid [mm ²]	6-25		
Contact screws [Ncm]	200		
Weight [g]	440	485	539

- contact frame with screws
- housing material: PA6
- contacts: brass with lamellar contact CuBe
- Includes pilot contact

IP44 splashproof

Flanged socket straight IP66/67 POWER TWIST

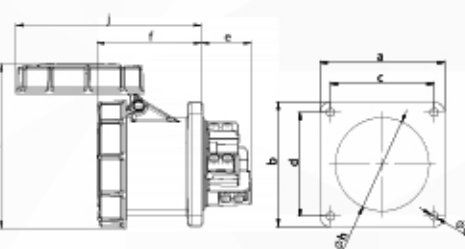
36-D


	63 Amp		
	3	4	5
Poles	3	4	5
Flange a [mm]	100	100	100
Flange b [mm]	100	100	100
Fixing center c [mm]	80	80	80
Fixing center d [mm]	80	80	80
e [mm]	50	50	50
f [mm]	80	80	80
g [mm]	7	7	7
h [mm]	85	85	85
i [mm]	147	147	147
j [mm]	146	146	146
Wire flexible [mm ²]	6-16		
Wire solid [mm ²]	6-25		
Contact screws [Ncm]	200		
Weight [g]	486	533	587

- contact frame with screws
- housing material: PA6
- contacts: brass with lamellar contact CuBe
- Includes pilot contact

IP66/67 watertight

Flanged socket straight IP66/67 POWER TWIST

36-E


	125 Amp		
	3	4	5
Poles	3	4	5
Flange a x b [mm]	120	120	120
Fixing center c x d [mm]	100	100	100
e [mm]	48	48	48
f [mm]	101	101	101
g [mm]	8	8	8
h [mm]	90	90	90
i [mm]	159	159	159
j [mm]	179	179	179
Wire flexible [mm ²]	16-50		
Wire solid [mm ²]	16-70		
Contact screws [Ncm]	450		
Weight [g]	752	890	986

- contact frame with hexagon socket screws
- housing material: PA6
- contacts: brass with lamellar contact CuBe
- Includes pilot contact

IP66/67 watertight

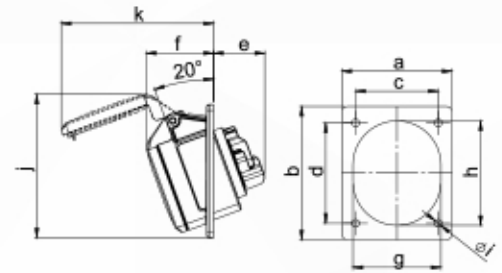
CEE FLANGED SOCKETS ANGLED

37-A
Flanged socket sloping IP44

- with screw terminals
- housing material: PA6
- contacts: brass
- to order nickel-plated contacts please add a "v" e.g. 415-6v

IP44 splashproof
IP44/54 16/3; 16/5 and 32/5 are splash- and dustproof

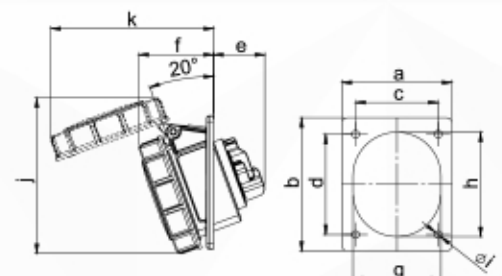
Poles	16 Amp			32 Amp		
	3	4	5	3	4	5
Flange a [mm]	90	80	80	80	80	80
Flange b [mm]	97	97	97	97	97	97
Fixing center c [mm]	60	60	60	60	60	60
Fixing center d [mm]	73	73	73	73	73	73
e [mm]	38	38	38	48	48	48
f [mm]	47	47	49	54	54	55
g [mm]	51	58	65	65	65	70
h [mm]	61	67	76	75	75	80
i [mm]	5,5	5,5	5,5	5,5	5,5	5,5
j [mm]	97	103	105	105	105	99
k [mm]	99	104	111	119	119	130
Wire flexible [mm ²]	1-2,5			2,5-6		
Wire solid [mm ²]	1-4			2,5-10		
Contact screws [Ncm]	100			110		
Weight [g]	116	132	154	166	182	214


37-B
Flanged socket sloping IP67

- with screw terminals
- housing material: PA6
- contacts: brass
- to order nickel-plated contacts please add a "v" e.g. 4152-6r78v

IP67 watertight

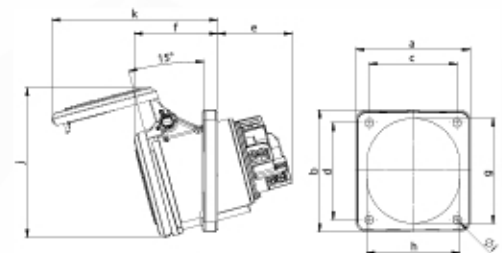
Poles	16 Amp			32 Amp		
	3	4	5	3	4	5
Flange a [mm]	90	80	80	80	80	80
Flange b [mm]	97	97	97	97	97	97
Fixing center c [mm]	60	60	60	60	60	60
Fixing center d [mm]	73	73	73	73	73	73
e [mm]	38	38	38	48	48	48
f [mm]	50	52	55	59	59	61
g [mm]	51	58	65	65	65	70
h [mm]	61	67	76	75	75	80
i [mm]	5,5	5,5	5,5	5,5	5,5	5,5
j [mm]	102	106	114	120	120	127
k [mm]	103	110	119	127	127	133
Wire flexible [mm ²]	1-2,5			2,5-6		
Wire solid [mm ²]	1-4			2,5-10		
Contact screws [Ncm]	100			110		
Weight [g]	131	153	186	207	224	262


37-C
Flanged socket sloping IP44 POWER TWIST

- contact frame with screws
- housing material: PA6
- contacts: brass with lamellar contact CuBe
- Includes pilot contact

IP44 splashproof

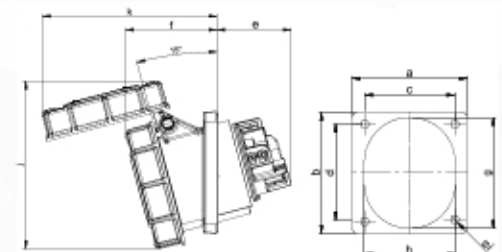
Poles	63 Amp		
	3	4	5
Flange a [mm]	100	100	100
Flange b [mm]	112	112	112
Fixing center c [mm]	80	80	80
Fixing center d [mm]	88	88	88
e [mm]	64	64	64
f [mm]	74	74	74
g [mm]	92	92	92
h [mm]	82	82	82
i [mm]	7	7	7
j [mm]	132	132	132
k [mm]	146	146	146
Wire flexible [mm ²]	6-16		
Wire solid [mm ²]	6-25		
Contact screws [Ncm]	200		
Weight [g]	447	482	547


37-D
Flanged socket sloping IP67 POWER TWIST

- contact frame with screws
- housing material: PA6
- contacts: brass with lamellar contact CuBe
- Includes pilot contact

IP66/67 watertight

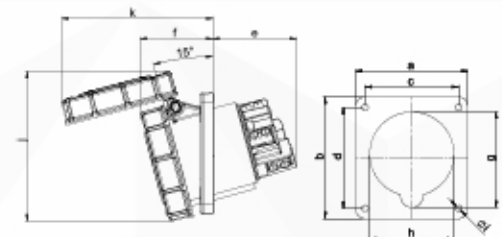
Poles	63 Amp		
	3	4	5
Flange a [mm]	100	100	100
Flange b [mm]	112	112	112
Fixing center c [mm]	80	80	80
Fixing center d [mm]	88	88	88
e [mm]	64	64	64
f [mm]	80	80	80
g [mm]	92	92	92
h [mm]	82	82	82
i [mm]	7	7	7
j [mm]	148	148	148
k [mm]	154	154	154
Wire flexible [mm ²]	6-16		
Wire solid [mm ²]	6-25		
Contact screws [Ncm]	200		
Weight [g]	495	540	595


37-E
Flanged socket sloping IP67 POWER TWIST

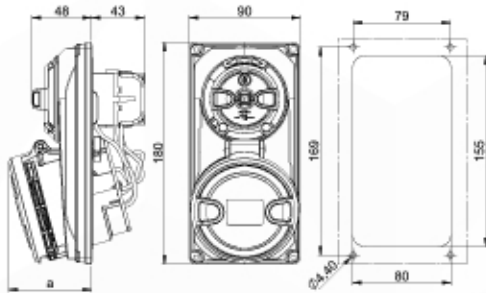
- contact frame with hexagon socket screws
- housing material: PA6
- contacts: brass with lamellar contact CuBe
- Includes pilot contact

IP66/67 watertight

Poles	125 Amp		
	3	4	5
Flange a [mm]	120	120	120
Flange b [mm]	130	130	130
Fixing center c [mm]	100	100	100
Fixing center d [mm]	108	108	108
e [mm]	92	92	92
f [mm]	77	77	77
g [mm]	102	102	102
h [mm]	90	90	90
i [mm]	7	7	7
j [mm]	160	160	160
k [mm]	162	162	162
Wire flexible [mm ²]	16-50		
Wire solid [mm ²]	16-70		
Contact screws [Ncm]	450		
Weight [g]	804	886	995



SWITCHED INTERLOCKED SOCKETS COMPACT SERIES

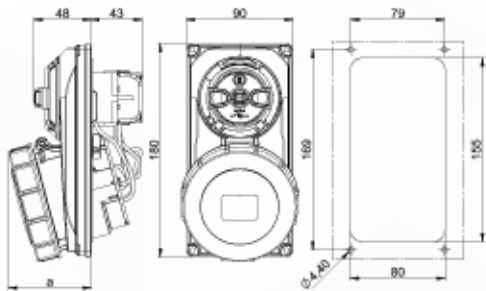


Switched Interlocked socket - panel mounting IP44

38-A

Poles	16 Amp			32 Amp		
	3	4	5	3	4	5
a [mm]	58	60	61	66	66	67
Wire flexible [mm ²]	1,5-2,5			2,5-6		
Wire solid [mm ²]	1,5-4			2,5-10		
Weight [g]	456	481	505	507	530	565

- with screw terminals
- housing material: PA6
- contacts: nickel-plated contacts
- mechanical interlock

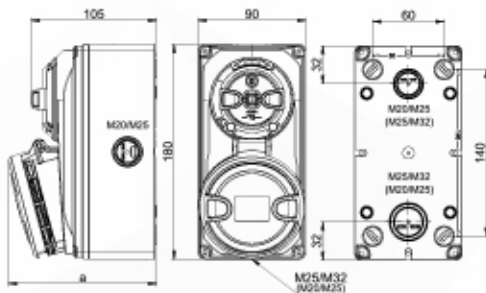
IP44/54 splashproof


Switched Interlocked socket - panel mounting IP67

38-B

Poles	16 Amp			32 Amp		
	3	4	5	3	4	5
a [mm]	59	61	65	67	67	70
Wire flexible [mm ²]	1,5-2,5			2,5-6		
Wire solid [mm ²]	1,5-4			2,5-10		
Weight [g]	474	502	535	538	563	603

- with screw terminals
- housing material: PA6
- contacts: nickel-plated contacts
- mechanical interlock

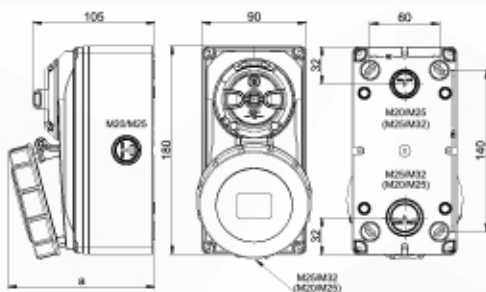
IP66/67 watertight


Switched Interlocked socket - wall mounting with knock-out IP44

38-C

Poles	16 Amp			32 Amp		
	3	4	5	3	4	5
a [mm]	115	117	118	123	123	124
Wire flexible [mm ²]	1,5-2,5			2,5-6		
Wire solid [mm ²]	1,5-4			2,5-10		
Weight [g]	616	640	663	665	691	725

- with screw terminals
- housing material: PA6 - PC/ABS
- contacts: nickel-plated contacts
- mechanical interlock
- cable entry: rear entry M20/M25 and M25/M32 side entry (left and right) M20/M25 top entry M25/M32 bottom entry M20/M25
- bottom part can be rotated 180°

IP44/54 splashproof


Switched Interlocked socket - wall mounting with knock-out IP67

38-D

Poles	16 Amp			32 Amp		
	3	4	5	3	4	5
a [mm]	116	118	122	124	124	127
Wire flexible [mm ²]	1,5-2,5			2,5-6		
Wire solid [mm ²]	1,5-4			2,5-10		
Weight [g]	635	663	693	697	725	764

- with screw terminals
- housing material: PA6 - PC/ABS
- contacts: nickel-plated contacts
- mechanical interlock
- cable entry: rear entry M20/M25 and M25/M32 side entry (left and right) M20/M25 top entry M25/M32 bottom entry M20/M25
- bottom part can be rotated 180°

IP66/67 watertight

Advantages:

- compact design
- small dimensions - space saving storage
- all components are mounted on top
- as flanged version suitable for distribution boxes and boards
- ready wired for connection
- at switch-off position: lockable by padlock
- mechanical interlock: after plugging and switching-on **plug is locked**. after switching-off and unplugging **switch is locked**
- coloured switch position

SWITCHED INTERLOCKED SOCKETS - FOR WALL MOUNTING

39-A

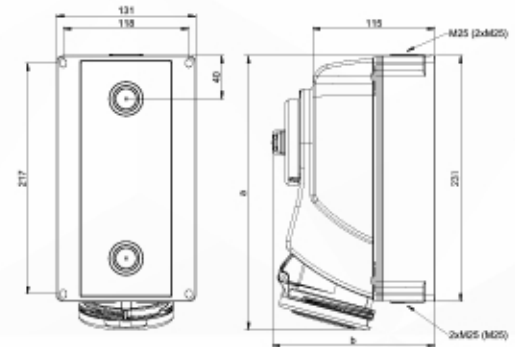
- with screw terminals
- housing material: PC/ABS
- contacts: nickel-plated contacts
- mechanical interlock
- top, bottom or rear entry
- incl. threaded bung

IP44/54 splashproof

Switched Interlocked socket - wall mounting IP44

Poles	16 Amp			32 Amp		
	3	4	5	3	4	5
a [mm]	249	249	249	259	259	259
b [mm]	153	153	153	153	153	153
M* [mm]	3x25	3x25	3x25	3x25	3x25	3x25
Wire flexible [mm ²]	1,5-2,5			2,5-6		
Wire solid [mm ²]	1,5-4			2,5-10		
Weight [g]	1067	1072	1118	1123	1136	1163

* Option: M32 or closed



39-B

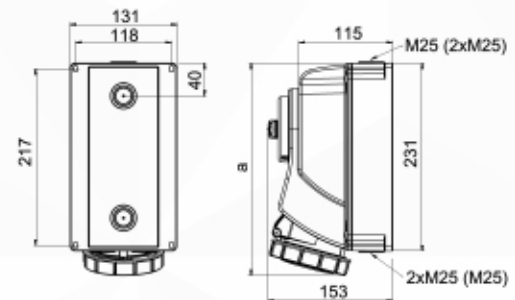
- with screw terminals
- housing material: PC/ABS
- contacts: nickel-plated contacts
- mechanical interlock
- top, bottom or rear entry
- incl. threaded bung

IP66/67 watertight

Switched Interlocked socket - wall mounting IP67

Poles	16 Amp			32 Amp		
	3	4	5	3	4	5
a [mm]	251	251	253	260	260	262
b [mm]	153	153	153	153	153	153
M* [mm]	3x25	3x25	3x25	3x25	3x25	3x25
Wire flexible [mm ²]	1,5-2,5			2,5-8		
Wire solid [mm ²]	1,5-4			2,5-10		
Weight [g]	1130	1150	1190	1210	1220	1270

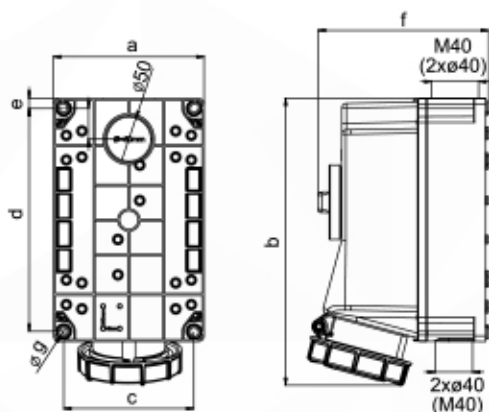
* Option: M32 or closed



Advantages:

- stable design for wall mounting
- after plugging and switching-on **plug is locked.**
- after switching-off and unplugging **switch is locked**
- all components are mounted on bottom
- large connecting area
- ready wired for connection
for 16A and 32A wiring-through
at switch-off position: lockable by padlock (40mm)

SWITCHED INTERLOCKED SOCKETS FOR WALL MOUNTING



Switched interlocked socket - wall mounting IP67

40-A

Poles	63 Amp		
	3	4	5
a [mm]	162	162	162
b [mm]	310	310	310
c [mm]	140	140	140
d [mm]	240	240	240
e [mm]	11	11	11
f [mm]	184	184	184
g [mm]	9	9	9
Wire flexible [mm ²]	6-25		
Wire solid [mm ²]	6-35		
Weight [g]	2049	2032	2179

- with screw terminals
- housing material: PC/ABS
- contacts: brass with lamellar contact CuBe
- mechanical interlock
- top, bottom or rear entry
- housing can be rotated by 180°
- Incl. threaded bung

IP66/67 watertight


Advantages:

- housing material: high shock-resistant PC/ABS
- stable design for wall mounting
- suitable for in- and outdoor installations
- mechanical interlock:
 - after plugging and switching-on plug is locked
 - after switching-off and unplugging switch is locked
- generously sized connecting area
- ready wired for connection
- at switch-off position: lockable by padlock 40mm
- external screws made of stainless steel

SWITCHED INTERLOCKED SOCKETS - FOR WALL MOUNTING

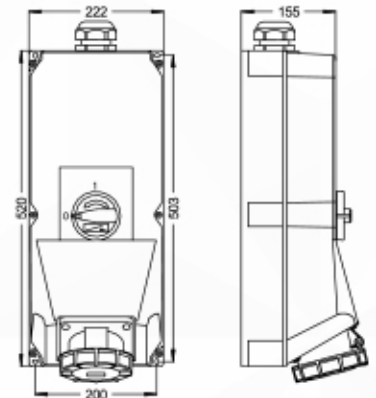
mechanical or electric interlock, lockable by padlock

41-A

- WxHxD = 520x222x155mm
- with screw terminals
- housing material: PC/ABS
- contacts: brass with lamellar contact CuBe
- mechanical interlock
- top entry
- compact design

IP67 watertight

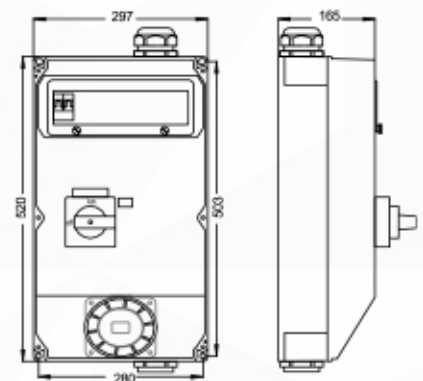
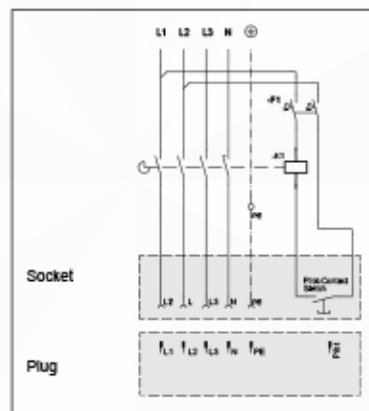
Switched Interlocked socket - mechanical interlock 125A


41-B

- WxHxD = 520x297x165mm
- material PC/ABS
- compact design
- controlled by circuit breaker 125A
- 4p with integrated low voltage circuit breaker 400V by PCS-system (see page 8)
- top or bottom entry (M63)
- control circuit protected with circuit breaker 10A 2p
- thermic release adjustable from 0,7 to 1 In
- manual resetting after voltage breakdown of the entry (trip position)

IP54 splash- and dustproof
IP66 on request

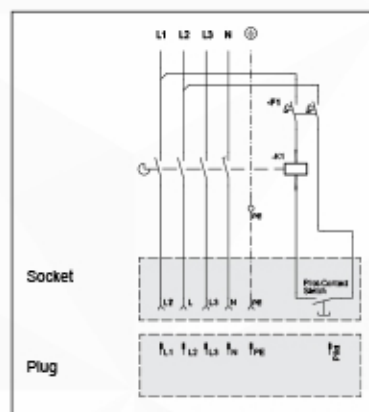
Switched Interlocked socket - electric mechanical interlock 125A


41-C

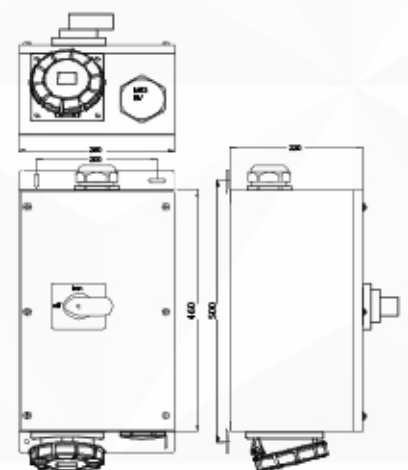
- WxHxD = 460x260x220mm
- metal housing (RAL 7035), protection degree IP66
- controlled by circuit breaker 125A
- 4p with integrated low voltage circuit breaker 400V by PCS-system (see page 8)
- optional with integrated RCD protection device
- wall mounting devices outside
- top or bottom entry (M63)
- control circuit protected with circuit breaker 10A 2p
- thermic release adjustable from 0,7 to 1 In
- manual resetting after voltage breakdown of the entry (trip position)

IP66 watertight

Switched Interlocked socket - electric interlock 125A



Circuit diagram

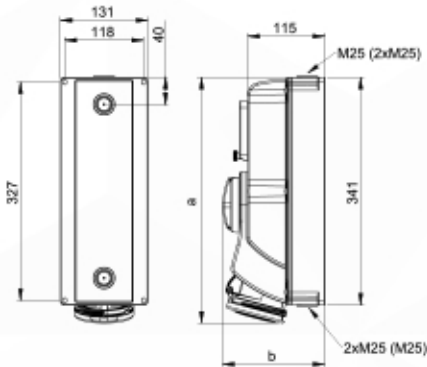


Technical data 125A:

- 125A 3-, 4-, and 5-poles
- terminals max. 70/50mm²

SWITCHED INTERLOCKED SOCKETS - WITH DIN-RAIL

mechanical or electric interlock, lockable by padlock



Switched interlocked socket - wall mounting IP44

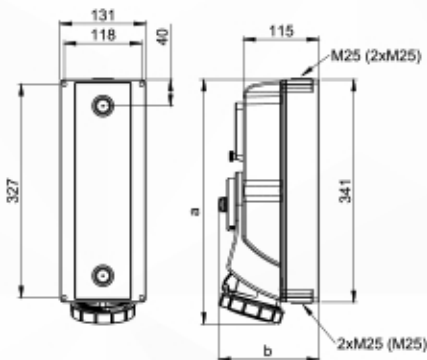
42-A

Poles	16 Amp			32 Amp		
	3	4	5	3	4	5
a [mm]	359	369	369	369	369	369
b [mm]	153	153	153	153	153	153
M* [mm]	3x25	3x25	3x25	3x25	3x25	3x25
Wire flexible [mm ²]	1,5-2,5			2,5-6		
Wire solid [mm ²]	1,5-4			2,5-10		
Weight [g]	1454	1459	1505	1510	1523	1570

* Option: M32 or closed

- with screw terminals
- housing material: PC/ABS
- contacts: nickel-plated contacts
- mechanical interlock
- top, bottom or rear entry
- incl. threaded bung
- with DIN-rail and hinged window for 5 modules

IP44/54 splashproof



Switched interlocked socket - wall mounting IP67

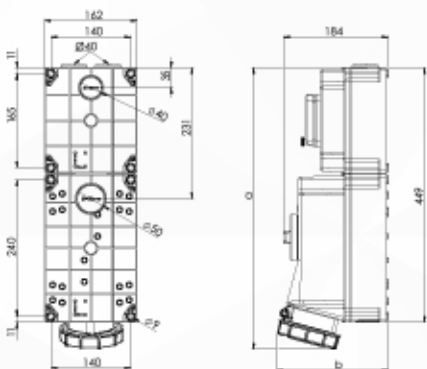
42-B

Poles	16 Amp			32 Amp		
	3	4	5	3	4	5
a [mm]	361	361	363	371	371	372
b [mm]	153	153	153	153	153	153
M* [mm]	3x25	3x25	3x25	3x25	3x25	3x25
Wire flexible [mm ²]	1,5-2,5			2,5-6		
Wire solid [mm ²]	1,5-4			2,5-10		
Weight [g]	1489	1494	1540	1545	1557	1605

* Option: M32 or closed

- with screw terminals
- housing material: PC/ABS
- contacts: nickel-plated contacts
- mechanical interlock
- top, bottom or rear entry
- incl. threaded bung
- with DIN-rail and hinged window for 5 modules

IP66/67 watertight



Switched interlocked socket - wall mounting IP67 POWER TWIST

42-C

Poles	63 Amp		
	3	4	5
a [mm]	496	496	496
b [mm]	195	195	195
Wire flexible [mm ²]	6-16		
Wire solid [mm ²]	6-16		
Weight [g]	2900	2975	3050

- contact frame with screws
- housing material: PC/ABS
- contacts: brass with lamellar contact CuBe
- mechanical interlock
- top, bottom or rear entry
- incl. threaded bung
- with DIN-rail and hinged window for 6 modules

IP66/67 watertight

Technical data to 16A and 32A version:

- like Series 75 ... but:
- large version with spring-loaded window for 5 modules
- integrated DIN-rail EN 50022 for standard fuses, e.g. MCBs, RCDs, etc. with cap-dimensions: 45 mm
- ready wired for connection up to DIN-rail

Technical data to 63A version:

- like Series 75 ... but:
- window with 6 modules
- integrated DIN-rail EN 50022 for standard fuses, e.g. MCBs, RCDs, etc. with cap-dimensions: 45mm
- ready wired for connection up to DIN-rail

CEE WALL SOCKETS

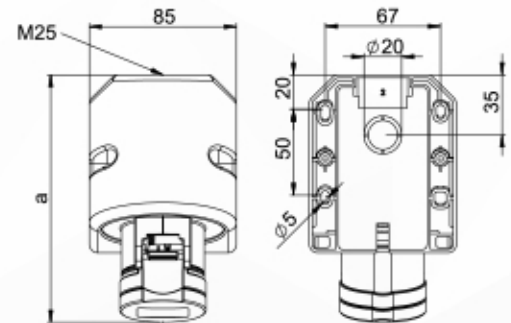
43-A

- with screw terminals
- housing material: PA6
- contacts: brass
- to order nickel-plated contacts please add a "v" e.g. 115-6v
- top and rear entry
- incl. threaded cable grommet

IP44 splashproof

Wall socket IP44

Poles	16 Amp			32 Amp		
	3	4	5	3	4	5
a [mm]	142	145	144	155	156	157
Height [mm]	97	98	104	106	106	111
M [mm]	25	25	25	25	25	25
Wire flexible [mm ²]	1-2,5			2,5-6		
Wire solid [mm ²]	1-4			2,5-10		
Contact screws [Ncm]	100			110		
Weight [g]	226	240	259	274	291	318



angle=15°

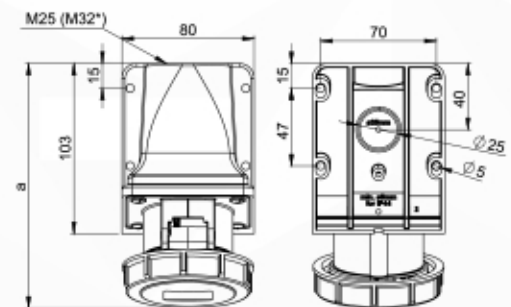
43-B

- with screw terminals
- housing material: PA6
- contacts: brass
- to order nickel-plated contacts please add a "v" e.g. 1152-6v
- to order Turbo Terminal design (screwless connection technology) please add a „TT“ e.g. 1152-6TT
- top and rear entry
- incl. threaded bung

IP67 watertight

Wall socket IP67

Poles	16 Amp			32 Amp		
	3	4	5	3	4	5
a [mm]	146	148	148	161	161	163
Height [mm]	96	99	102	108	108	112
M* [mm]	25	25	25	25	25	25
Wire flexible [mm ²]	1-2,5			2,5-6		
Wire solid [mm ²]	1-4			2,5-10		
Contact screws [Ncm]	100			110		
Weight [g]	226	241	275	298	314	351



angle=15°

*M32 optional on request available

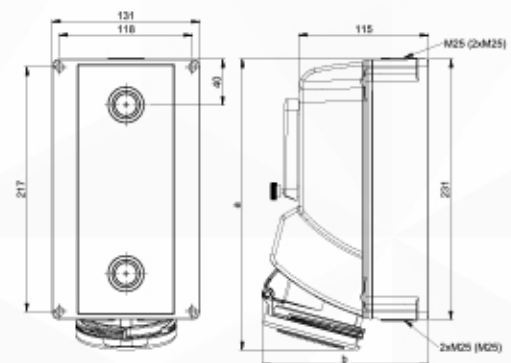
43-C

- with screw terminals
- housing material: PC/ABS
- contacts: nickel-plated contacts
- top, bottom or rear entry
- with DIN-rail
- window for 5 modules
- incl. threaded bung

IP44/54 splashproof

Wall socket with window IP44

Poles	16 Amp			32 Amp		
	3	4	5	3	4	5
a [mm]	249	249	249	259	259	259
b [mm]	141	141	141	142	142	148
M* [mm]	3x25	3x25	3x25	3x25	3x25	3x25
Wire flexible [mm ²]	1-2,5			2,5-6		
Wire solid [mm ²]	1-4			2,5-10		
Weight [g]	917	922	967	972	965	1033



* Option: M32 or closed

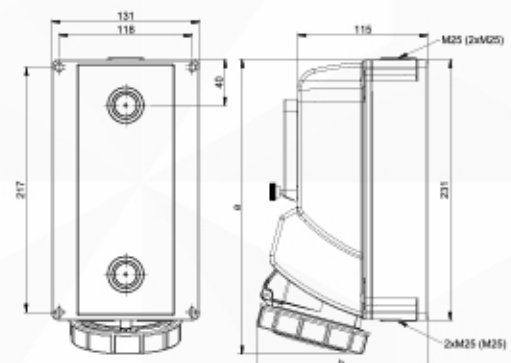
43-D

- with screw terminals
- housing material: PC/ABS
- contacts: nickel-plated contacts
- top, bottom or rear entry
- with DIN-rail
- window for 5 modules
- incl. threaded bung

IP67 watertight

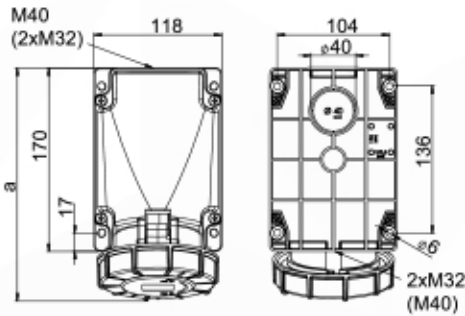
Wall socket with window IP67

Poles	16 Amp			32 Amp		
	3	4	5	3	4	5
a [mm]	253	253	253	259	259	259
b [mm]	141	141	141	145	145	153
M* [mm]	3x25	3x25	3x25	3x25	3x25	3x25
Wire flexible [mm ²]	1-2,5			2,5-6		
Wire solid [mm ²]	1-4			2,5-10		
Weight [g]	952	957	1002	1007	1020	1068



* Option: M32 or closed

CEE WALL SOCKETS



angle=15°

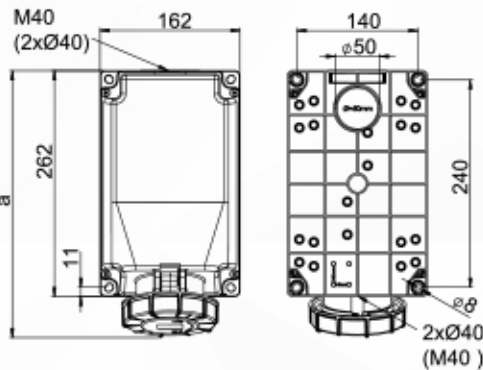
Wall socket IP66/67 POWER TWIST

44-A

	63 Amp		
	3	4	5
Poles	3	4	5
a [mm]	213	213	213
Height [mm]	173	173	173
Wire flexible [mm ²]	6-16		
Wire solid [mm ²]	6-25		
Contact screws [Ncm]	200		
Weight [g]	820	869	923

- contact frame with screws
- housing material: PC/ABS
- contacts: brass with lamellar contact CuBe
- Includes pilot contact
- top, bottom or rear entry
- housing can be rotated by 180°
- Incl. threaded bung
- cable-glands see accessories

IP66/67 watertight
IP44 on request



angle=15°

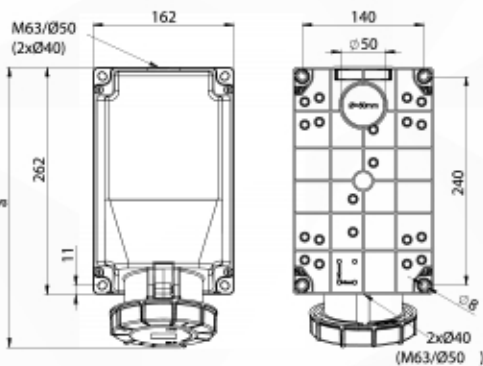
Wall socket IP66/67 POWER TWIST

44-B

	63 Amp		
	3	4	5
Poles	3	4	5
a [mm]	308	308	308
Height [mm]	195	195	195
Wire flexible [mm ²]	6-16		
Wire solid [mm ²]	6-25		
Contact screws [Ncm]	200		
Weight [g]	1380	1409	1463

- contact frame with screws
- housing material: PC/ABS
- contacts: brass with lamellar contact CuBe
- Includes pilot contact
- top, bottom or rear entry
- housing can be rotated by 180°
- Incl. threaded bung
- cable-glands see accessories

IP66/67 watertight
IP44 on request



angle=15°

Wall socket IP66/67 POWER TWIST

44-C

	125 Amp		
	3	4	5
Poles	3	4	5
a [mm]	322	322	322
Height [mm]	205	205	205
Wire flexible [mm ²]	16-50		
Wire solid [mm ²]	16-50		
Contact screws [Ncm]	450		
Weight [g]	1745	1752	1862

- contact frame with hexag socket screws
- housing material: PC/ABS
- contacts: brass with lamellar contact CuBe
- Includes pilot contact
- top, bottom or rear entry
- housing can be rotated by 180°
- Incl. threaded bung
- cable-glands see accessories page 51

IP66/67 watertight

Advantages:

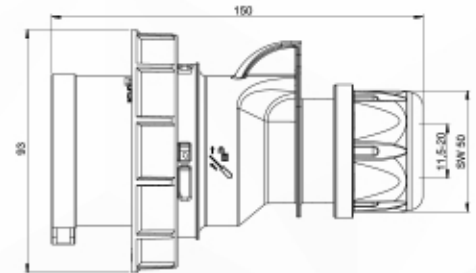
Housing can be rotated by 180° – the position of the cable entry can be chosen!

CEE CONTAINER PLUGS AND SOCKETS

45-A
Container Plug SHARK

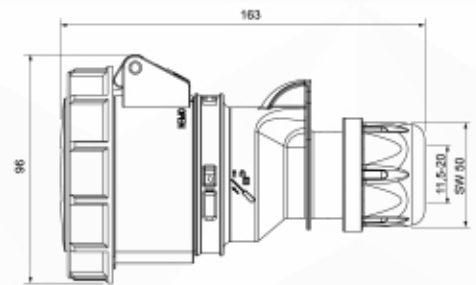
- 32A 4p 3h 440V
- nickel-plated contacts
- with screw terminals

IP67 watertight


45-B
Container Coupler SHARK

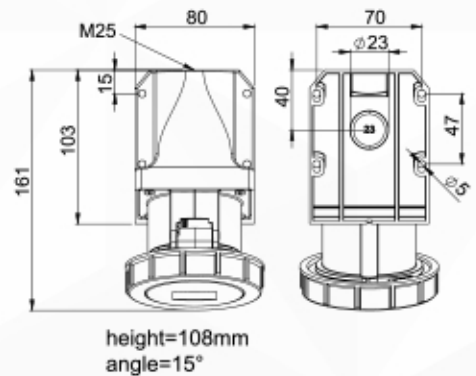
- 32A 4p 3h 440V
- nickel-plated contacts
- with screw terminals

IP67 watertight


45-C
Container Wall Socket

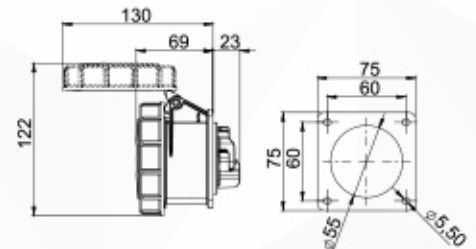
- 32A 4p 3h 440V
- nickel-plated contacts
- with screw terminals

IP67 watertight


45-D
Container Flanged Socket Straight

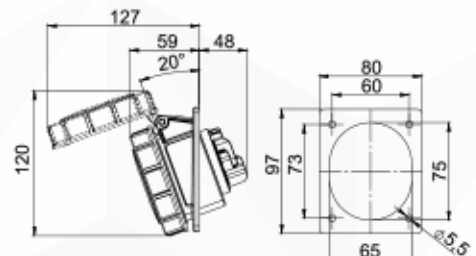
- 32A 4p 3h 440V
- nickel-plated contacts
- flange = 75 x 75
- fixing center = 60 x 60
- with screw terminals

IP67 watertight

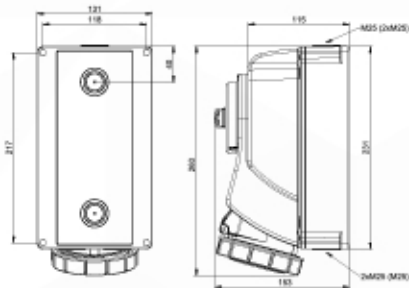

45-E
Container Flanged Socket Angled

- 32A 4p 3h 440V
- nickel-plated contacts
- flange = 80 x 97 mm
- fixing center = 60 x 73 mm
- with screw terminals

IP67 watertight



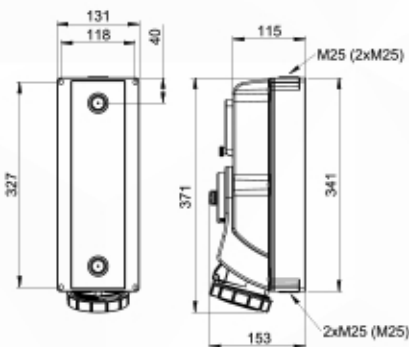
CEE CONTAINER PLUGS AND SOCKETS



Container Switched Interlocked Socket

46-A

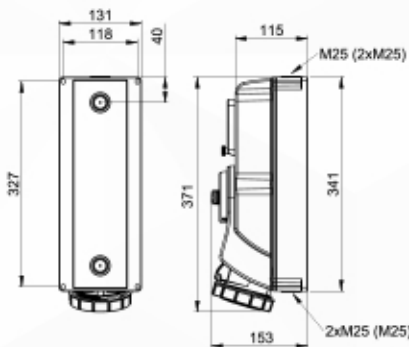
- 32A 4p 3h 440V
- nickel-plated contacts
- up to 3 x M25 cable entries
- mechanical interlock
- lockable by padlock

IP67 watertight


Container Switched Interlocked Socket with Fuse

46-B

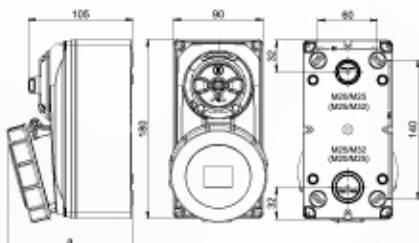
- 32A 4p 3h 440V
- nickel-plated contacts
- cylindrical fuse 14x51
- up to 3 x M25 cable entries
- mechanical interlock
- lockable by padlock

IP67 watertight


Container Switched Interlocked Socket with DIN Rail

46-C

- 32A 4p 3h 440V
- nickel-plated contacts
- DIN rail with window for 5 modules
- up to 3 x M25 cable entries
- mechanical interlock
- lockable by padlock

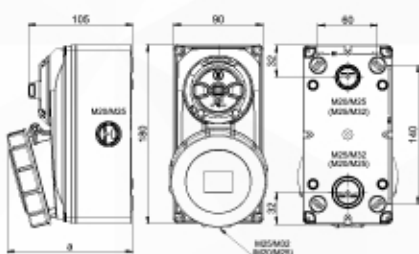
IP67 watertight


Container Switched Interlocked Socket

46-D

	32 Amp
Poles	4
a [mm]	124
Wire flexible [mm ²]	2,5-6
Wire solid [mm ²]	2,5-10
Weight [g]	725

- with screw terminals
- housing material: top part PA6 bottom part PC/ABS
- contacts: nickel-plated contacts
- mechanical interlock
- rear entry M20/M25 and M25/M32
- bottom part can be rotated 180°

IP66/67 watertight


Container Switched Interlocked Socket (with knock outs)

46-E

	32 Amp
Poles	4
a [mm]	124
Wire flexible [mm ²]	2,5-6
Wire solid [mm ²]	2,5-10
Weight [g]	725

- with screw terminals
- housing material: PA6 - PC/ABS
- contacts: nickel-plated contacts
- mechanical interlock
- cable entry:
 - rear entry M20/M25 and M25/M32
 - side entry (left and right) M20/M25
 - top entry M25/M32
 - bottom entry M20/M25
- bottom part can be rotated 180°

IP66/67 watertight

CEE FLANGED APPLIANCE INLET

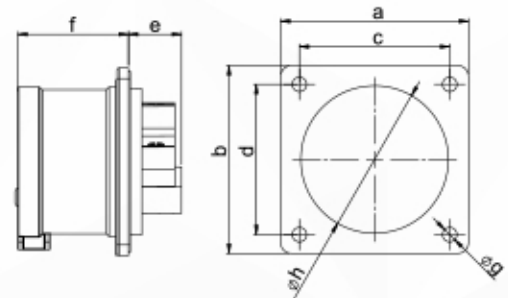
47-A

- with screw terminals
- housing material: PA6
- contacts: brass
- to order nickel-plated contacts please add a "v" e.g. 615-6v
- According to EN 60309: For correct use a locking device has to be provided

IP44 splashproof

Flanged plug straight IP44

Poles	16 Amp			32 Amp		
	3	4	5	3	4	5
Flange a x b [mm]	70	70	70	70	70	70
Fixing center c x d [mm]	56	56	56	56	56	56
e [mm]	21	21	20	21	21	21
f [mm]	42	42	42	51	51	51
g [mm]	5,5	5,5	5,5	5,5	5,5	5,5
h [mm]	43	43	55	55	55	55
Wire flexible [mm ²]	1-2,5			2,5-6		
Wire solid [mm ²]	1-4			2,5-10		
Contact screws [Ncm]	100			110		
Weight [g]	86	101	118	125	145	165



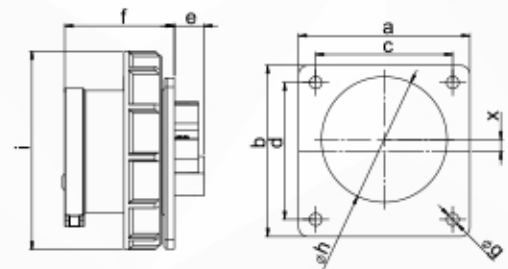
47-B

- with screw terminals
- housing material: PA6
- contacts: brass
- to order nickel-plated contacts please add a "v" e.g. 6152-6v
- According to EN 60309: For correct use a locking device has to be provided
- for 16A 3p till 32A 4p the plug is placed off centered for keeping the standards

IP67 watertight

Flanged plug straight IP467

Poles	16 Amp			32 Amp		
	3	4	5	3	4	5
Flange a x b [mm]	75	75	75	75	75	75
Fixing center c x d [mm]	60	60	60	60	60	60
e [mm]	15	14	13	14	15	14
f [mm]	48	48	48	58	58	58
g [mm]	5,5	5,5	5,5	5,5	5,5	5,5
h [mm]	43	44	55	55	55	55
i [mm]	71	79	87	93	93	100
x [mm]	11,3	6	5	4,5	4,5	0
Wire flexible [mm ²]	1-2,5			2,5-6		
Wire solid [mm ²]	1-4			2,5-10		
Contact screws [Ncm]	100			110		
Weight [g]	109	131	150	167	188	214



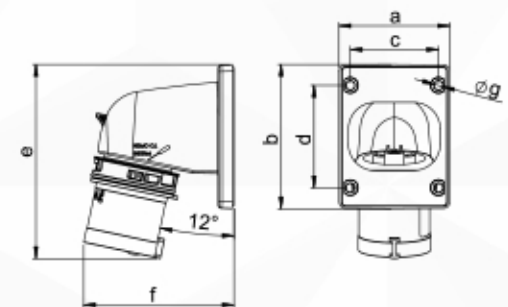
47-C

- with screw terminals
- housing material: PC/ABS
- contacts: brass
- to order nickel-plated contacts please add a "v" e.g. 77715-6v

IP44 splashproof

Flanged plug angled IP44 TWIST

Poles	16 Amp			32 Amp		
	3	4	5	3	4	5
a [mm]	86	86	90	90	90	90
b [mm]	86	86	100	100	100	100
c [mm]	53	53	77	77	77	77
d [mm]	61	61	85	85	85	85
e [mm]	116	117	153	163	163	164
f [mm]	90	93	98	100	100	103
g [mm]	5	5	5	5	5	5
Wire flexible [mm ²]	1-2,5			2,5-6		
Wire solid [mm ²]	1-4			2,5-10		
Contact screws [Ncm]	100			110		
Weight [g]	126	144	190	200	220	247



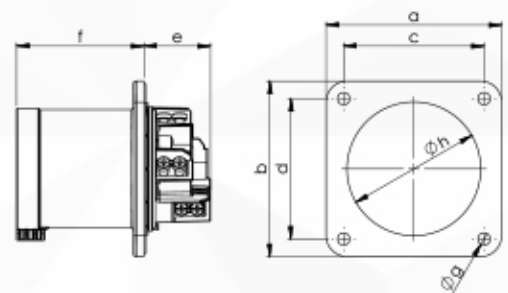
47-D

- contact frame with screws
- housing material: PA6
- contacts: nickel-plated contacts
- with pilot contact
- dust cover optional available

IP44 splashproof

Flanged plug straight IP44 POWER TWIST

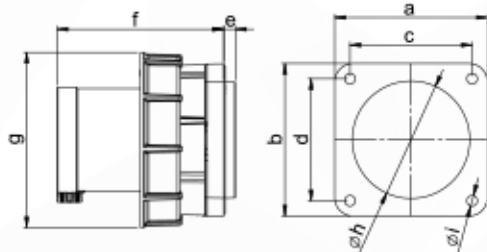
Poles	63 Amp		
	3	4	5
Flange a x b [mm]	100	100	100
Fixing center c x d [mm]	80	80	80
e [mm]	39	39	39
f [mm]	73	73	73
g [mm]	7	7	7
h [mm]	77	77	77
Wire flexible [mm ²]	6-16		
Wire solid [mm ²]	6-25		
Contact screws [Ncm]	200		
Weight [g]	328	378	427



CEE FLANGED APPLIANCE INLET

Flanged plug straight IP66/67

POWER TWIST

48-A


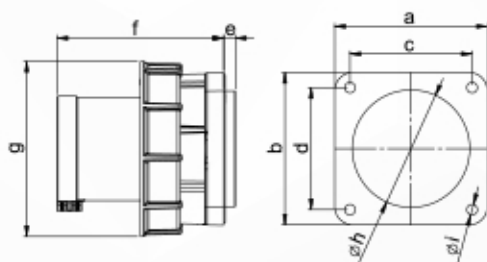
	63 Amp		
	3	4	5
Poles	3	4	5
Flange a x b [mm]	100	100	100
Fixing center c x d [mm]	80	80	80
e [mm]	8	8	8
f [mm]	109	109	109
g [mm]	115	115	115
h [mm]	77	77	77
i [mm]	7	7	7
Wire flexible [mm²]	6-16		
Wire solid [mm²]	6-25		
Contact screws [Ncm]	200		
Weight [g]	479	531	570

- contact frame with screws
- housing material: PA6
- contacts: nickel-plated contacts
- with pilot contact
- waterproof cover optional available

IP66/67 watertight

Flanged plug straight IP66/67

POWER TWIST

48-B


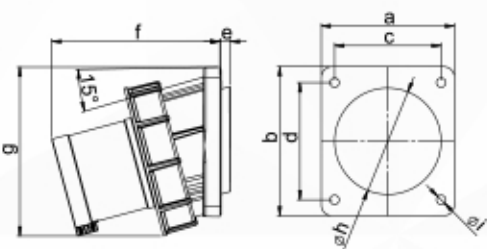
	125 Amp		
	3	4	5
Poles	3	4	5
Flange a x b [mm]	120	120	120
Fixing center c x d [mm]	100	100	100
e [mm]	13	13	13
f [mm]	118	118	118
g [mm]	131	131	131
h [mm]	95	95	95
i [mm]	7	7	7
Wire flexible [mm²]	16-50		
Wire solid [mm²]	16-70		
Contact screws [Ncm]	450		
Weight [g]	788	891	998

- contact frame with hexagon socket screws
- housing material: PA6
- contacts: nickel-plated contacts
- with pilot contact
- waterproof cover optional available

IP66/67 watertight

Flanged plug sloping IP66/67

POWER TWIST

48-C


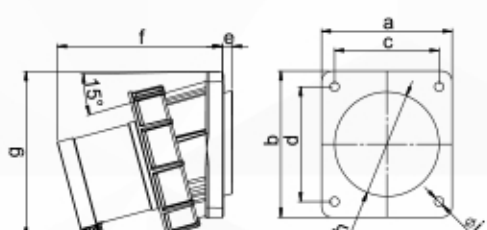
	63 Amp		
	3	4	5
Poles	3	4	5
a [mm]	100	100	100
b [mm]	112	112	112
c [mm]	80	80	80
d [mm]	88	88	88
e [mm]	8	8	8
f [mm]	127	127	127
g [mm]	127	127	127
h [mm]	80	80	80
i [mm]	7	7	7
Wire flexible [mm²]	6-16		
Wire solid [mm²]	6-25		
Contact screws [Ncm]	200		
Weight [g]	515	568	608

- contact frame with screws
- housing material: PA6
- contacts: nickel-plated contacts
- with pilot contact
- waterproof cover optional available

IP66/67 watertight

Flanged plug sloping IP66/67

POWER TWIST

48-D


	125 Amp		
	3	4	5
Poles	3	4	5
a [mm]	120	120	120
b [mm]	130	130	130
c [mm]	100	100	100
d [mm]	108	108	108
e [mm]	8	8	8
f [mm]	139	139	139
g [mm]	145	145	145
h [mm]	100	100	100
i [mm]	7	7	7
Wire flexible [mm²]	16-50		
Wire solid [mm²]	16-70		
Contact screws [Ncm]	450		
Weight [g]	915	1028	1138

- contact frame with hexagon socket screws
- housing material: PA6
- contacts: nickel-plated contacts, with pilot contact
- waterproof cover optional available

IP66/67 watertight

CEE FLANGED APPLIANCE INLET

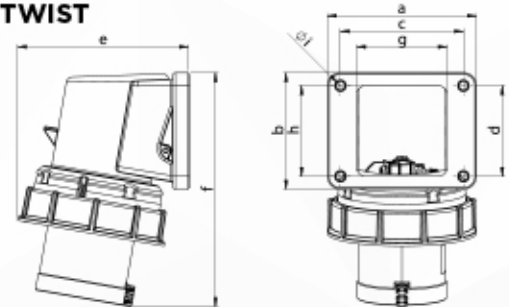
49-A

- contact frame with screws
- housing material: PA6
- contacts: nickel-plated contacts
- with pilot contact
- waterproof cover and cable-glands optional available
- rear entry
- Incl. flange gasket

IP66/67 watertight

Flanged plug compact IP66/67

Poles	63 Amp		
	3	4	5
a [mm]	116	116	116
b [mm]	91	91	91
c [mm]	96	96	96
d [mm]	70	70	70
e [mm]	132	132	132
f [mm]	181	181	181
g [mm]	70	70	70
h [mm]	70	70	70
Ø i [mm]	6,5	6,5	6,5
Wire flexible [mm ²]		6-16	
Wire solid [mm ²]		6-25	
Contact screws [Nom]		200	
Weight [g]	547	598	640

POWER TWIST

Connection types:

**Screw terminal:
16/32A**
**Screwless terminal:
16/32A**
**Contact frame:
63/125A**

Screw terminal

- accessible from one direction
- screws captive and open
- screws with multi slot

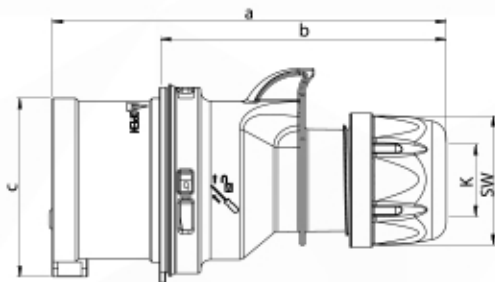
Screwless terminal

- time saving
- screwless TT-terminal
- open contact terminals = ready for assembly
- fast cable installation
- simple closing and opening

Contact frame

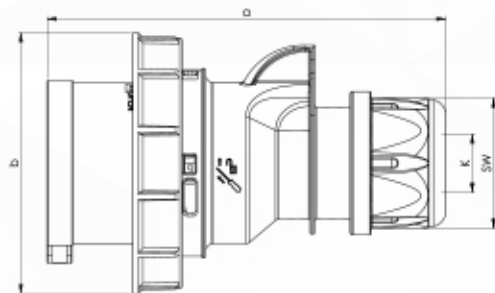
- perfect clamping
- protection of the cables
- screws with multi slot (63A)
- hexagon socket screws (125A)

PLUGS AND SOCKETS 7-POLES


Plug IP44/54
SHARK
50-A

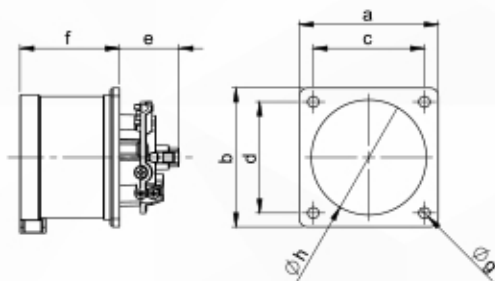
	16 Amp	32 Amp
Poles	7	7
a [mm]	134	155
b [mm]	98	109
c [mm]	61	70
K_cable Ø [mm]	8-16	11,5-22
Wire flexible [mm ²]	1-2,5	2,5-6
Contact screws [Ncm]	100	110
SW [mm]	42	50
Weight [g]	185	263

- with screw terminals
- housing material: PA6
- contacts: nickel-plated

IP44/54 dust- and splashproof

Plug IP66/67
SHARK
50-B

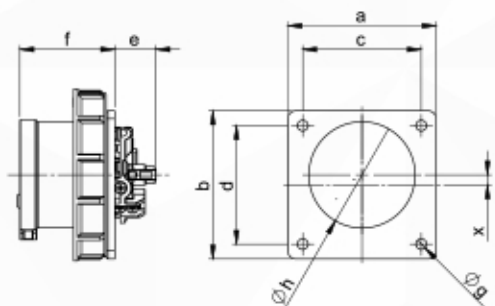
	16 Amp	32 Amp
Poles	7	7
a [mm]	134	155
b [mm]	87	100
K_cable Ø [mm]	8-16	11,5-22
Wire flexible [mm ²]	1-2,5	2,5-6
Contact screws [Ncm]	100	110
SW [mm]	42	50
Weight [g]	217	329

- with screw terminals
- housing material: PA6
- contacts: nickel-plated

IP66/67 watertight

Flanged plug straight IP44/54
50-C

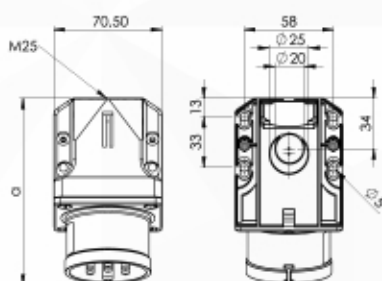
	16 Amp		32 Amp	
Poles	7	7	7	7
a [mm]	70	75	70	75
b [mm]	70	75	70	75
c [mm]	56	60	56	60
d [mm]	56	60	56	60
e [mm]	28	28	30	30
f [mm]	42	42	51	51
Ø g [mm]	5,5	5,5	5,5	5,5
Ø h [mm]	55	55	55	55
Wire flexible [mm ²]	1-2,5		2,5-6	
Wire solid [mm ²]	1-4		2,5-10	
Contact screws [Ncm]	100		110	
Weight [g]	147	152	216	221

- with screw terminals
- housing material: PA6
- contacts: nickel-plated
- According to EN 60309:
For correct use a locking device has to be provided

IP44/54 dust- and splashproof

Flanged plug straight IP66/67
50-D

	16 Amp	32 Amp
Poles	7	7
a [mm]	75	75
b [mm]	75	75
c [mm]	60	60
d [mm]	60	60
e [mm]	28	30
f [mm]	48	58
Ø g [mm]	5,5	5,5
Ø h [mm]	55	55
x [mm]	5,05	0
Wire flexible [mm ²]	1-2,5	2,5-6
Wire solid [mm ²]	1-4	2,5-10
Contact screws [Ncm]	100	110
Weight [g]	180	265

- with screw terminals
- housing material: PA6
- contacts: nickel-plated
- According to EN 60309:
For correct use a locking device has to be provided
- for 16A 7p the plug is placed off centered for keeping the standards

IP66/67 watertight

Wall mounted plug IP44/54
50-E

	16 Amp	32 Amp
Poles	7	7
a [mm]	122	132
Height [mm]	79	85
M [mm]	25	25
Wire flexible [mm ²]	1-2,5	2,5-6
Wire solid [mm ²]	1-4	2,5-10
Contact screws [Ncm]	100	110
Weight [g]	235	304

- with screw terminals
- housing material: PA6
- contacts: nickel-plated
- top and rear entry
- Incl. threaded cable grommet
- 9517*, 9527* large housing for wiring through

IP44/54 splashproof

angle = 15°

PLUGS AND SOCKETS 7-POLES

51-A

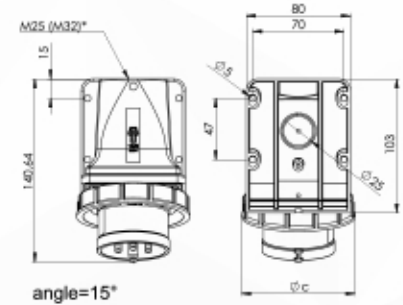
- with screw terminals
- housing material: PA6
- contacts: nickel-plated
- top and rear entry
- Incl. threaded cable grommet
- 9517*, 9527* large housing for wiring through

IP44/54 splashproof

Wall mounted plug IP66/67

	16 Amp	32 Amp
Poles	7	7
a [mm]	140	152
Height [mm]	100	102
c [mm]	87	100
M* [mm]	25	25
Wire flexible [mm ²]	1-2,5	2,5-6
Wire solid [mm ²]	1-4	2,5-10
Contact screws [Norm]	100	110
Weight [g]	271	356

*M32 optional on request



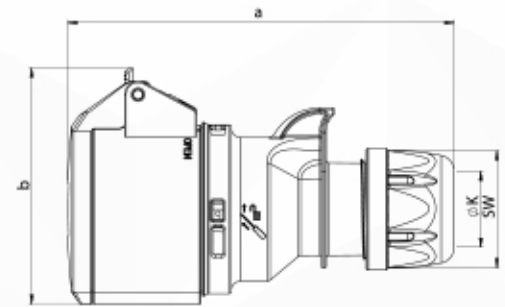
51-B

- with screw terminals
- housing material: PA6
- contacts: nickel-plated

IP44/54 dust- and splashproof

Coupler IP44/54 SHARK

	16 Amp	32 Amp
Poles	7	7
a [mm]	145	168
b [mm]	89	99
K_cable Ø [mm]	8-16	11,5-22
Wire flexible [mm ²]	1-2,5	2,5-6
Contact screws [Norm]	100	110
SW [mm]	42	50
Weight [g]	210	310



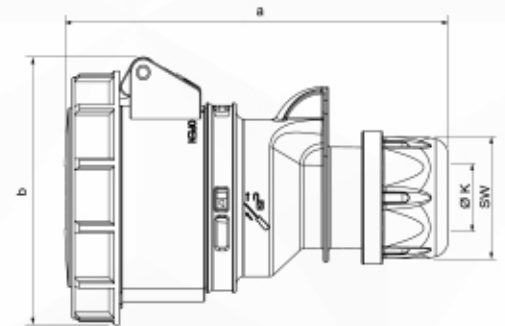
51-C

- with screw terminals
- housing material: PA6
- contacts: nickel-plated

IP66/67 watertight

Coupler IP66/67 SHARK

	16 Amp	32 Amp
Poles	7	7
a [mm]	147	171
b [mm]	92	102
K_cable Ø [mm]	8-16	11,5-22
Wire flexible [mm ²]	1-2,5	2,5-6
Contact screws [Norm]	100	110
SW [mm]	42	50
Weight [g]	254	377



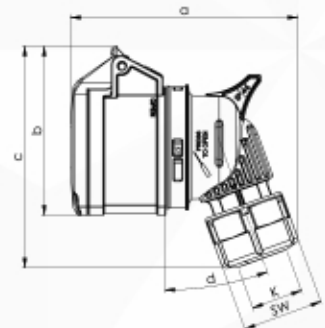
51-D

- with screw terminals
- housing material: PC/ABS
- contacts: nickel-plated

IP44/54 dust- and splashproof

Angled coupler IP44/54 TWIST

	16 Amp	32 Amp
Poles	7	7
a [mm]	119	147
b [mm]	89	99
c [mm]	117	126
d [°]	20	25
e [mm]		
K_cable Ø [mm]	8-16	11,5-22
Wire flexible [mm ²]	1-2,5	2,5-6
Contact screws [Norm]	100	110
SW [mm]	42	50
Weight [g]	214	313



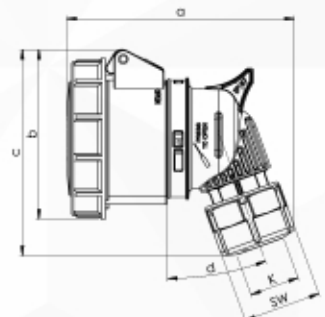
51-E

- with screw terminals
- housing material: PC/ABS
- contacts: nickel-plated

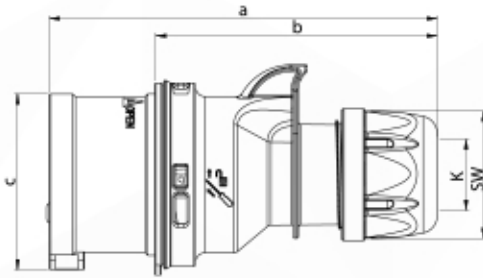
IP66/67 watertight

Angled coupler IP66/67 TWIST

	16 Amp	32 Amp
Poles	7	7
a [mm]	124	152
b [mm]	92	102
c [mm]	112	122
d [°]	20	25
K_cable Ø [mm]	8-16	11,5-22
Wire flexible [mm ²]	1-2,5	2,5-6
Contact screws [Norm]	100	110
SW [mm]	42	50
Weight [g]	258	379



EVENT TECHNOLOGY MIDNIGHT-SERIES



Plug IP44

SHARK

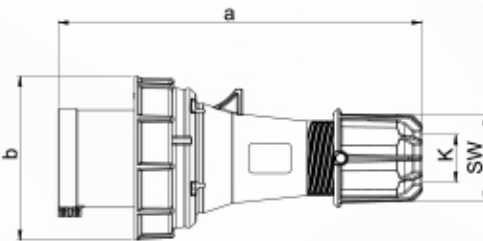
52-A

Poles	16 Amp			32 Amp		
	3	4	5	3	4	5
a [mm]	122	128	134	150	150	155
b [mm]	86	92	98	104	104	109
c [mm]	47	53	61	63	63	70
K_cable Ø [mm]	6-15	6-15	8-16	11,5-20	11,5-20	11,5-22
Wire flexible [mm ²]	1-2,5			2,5-6		
Contact screws [Ncm]	100			110		
SW [mm]	42	42	42	50	50	50
Weight [g]	109	128	151	181	201	232

- with screw terminals
- housing material: PA6
- contacts: brass
- to order nickel-plated contacts please add a "v" e.g. 215-6xv

IP44 splashproof

also available in IP67



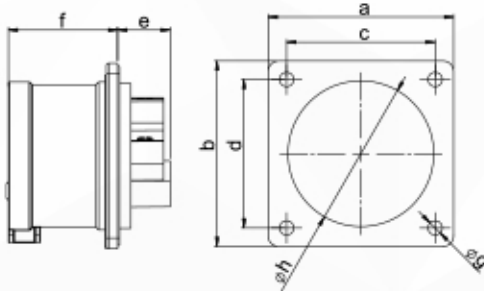
Plug IP67

POWER TWIST

52-B

Poles	63 Amp			125 Amp		
	3	4	5	3	4	5
a [mm]	250	250	250	270	270	270
b [mm]	115	115	115	131	131	131
K_cable Ø [mm]	14,5-36	14,5-36	14,5-36	22,5-50	22,5-50	22,5-50
Wire flexible [mm ²]	6-16			16-50		
Contact screws [Ncm]	200			450		
SW [mm]	61	61	61	81	81	81
Weight [g]	574	621	670	956	1064	1169

- Contact frame with screws for 125A with hexagon socket screws
- housing material: PC/ABS
- contacts: nickel-plated contact CuBe
- with pilot contact

IP66/67 watertight


Flanged plug straight IP44

52-C

Poles	16 Amp			32 Amp		
	3	4	5	3	4	5
Flange a x b [mm]	70	70	70	70	70	70
Fixing center c x d [mm]	56	56	56	56	56	56
e [mm]	21	21	20	21	21	21
f [mm]	42	42	42	51	51	51
g [mm]	5,5	5,5	5,5	5,5	5,5	5,5
h [mm]	43	43	55	55	55	55
Wire flexible [mm ²]	1-2,5			2,5-6		
Wire solid [mm ²]	1-4			2,5-10		
Contact screws [Ncm]	100			110		
Weight [g]	86	101	118	125	145	165

- with screw terminals
- housing material: PA6
- contacts: brass
- to order nickel-plated contacts please add a "v" e.g. 315-6xv

IP44 splashproof
IP44/54 16/3; 16/5 and 32/5 are splash- and dustproof also available in IP67


EVENT TECHNOLOGY MIDNIGHT-SERIES

53-A

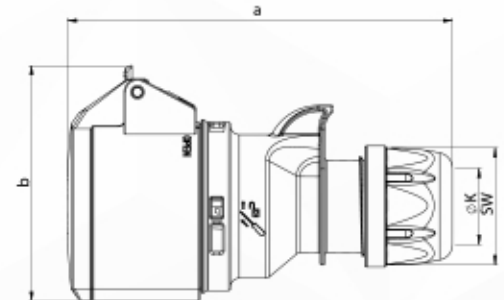
- with screw terminals
- housing material: PA6
- contacts: brass
- to order nickel-plated contacts please add a "v" e.g. 215-6xv

IP44 splashproof

also available in IP67

Coupler IP44

Poles	16 Amp			32 Amp		
	3	4	5	3	4	5
a [mm]	133	138	145	161	161	168
b [mm]	76	80	89	91	94	100
K_cable Ø [mm]	6-15	6-15	8-16	11,5-20	11,5-20	11,5-22
Wire flexible [mm ²]	1-2,5			2,5-6		
Contact screws [Ncm]	100			110		
SW [mm]	42	42	42	50	50	50
Weight [g]	134	161	188	228	244	270



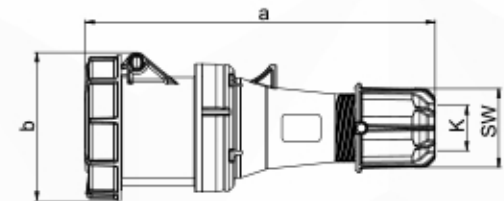
53-B

- Contact frame with screws for 125A with hexagon socket screws
- housing material: PC/ABS
- contacts: brass with lamellar contact CuBe
- with pilot contact

IP66/67 watertight

Coupler IP66/67 POWER TWIST

Poles	63 Amp			125 Amp		
	3	4	5	3	4	5
a [mm]	269	289	289	287	287	287
b [mm]	114	114	114	124	124	124
K_cable Ø [mm]	14,5-36	14,5-36	14,5-36	22,5-50	22,5-50	22,5-50
Wire flexible [mm ²]	6-16			16-50		
Contact screws [Ncm]	200			450		
SW [mm]	61	61	61	81	81	81
Weight [g]	673	714	772	1060	1167	1266



53-C

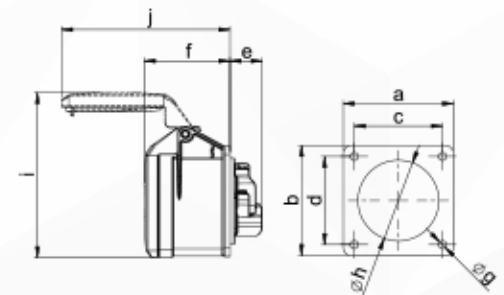
- with screw terminals
- housing material: PA6
- contacts: brass
- to order nickel-plated contacts please add a "v" e.g. 315-6xv

IP44 splashproof
IP44/54 16/3; 16/5 and 32/5 are splash- and dustproof

also available in IP67

Flanged socket straight IP44

Poles	16 Amp			32 Amp		
	3	4	5	3	4	5
Flange a x b [mm]	70	70	70	70	70	70
Fixing center c x d [mm]	56	56	56	56	56	56
e [mm]	21	21	21	23	23	23
f [mm]	55	55	55	67	67	67
g [mm]	5,5	5,5	5,5	5,5	5,5	5,5
h [mm]	43	45	55	55	55	58
i [mm]	87	101	106	112	112	108
j [mm]	101	101	107	122	122	136
Wire flexible [mm ²]	1-2,5			2,5-6		
Wire solid [mm ²]	1-4			2,5-10		
Contact screws [Ncm]	100			110		
Weight [g]	115	127	141	162	178	206





NOTES

A series of horizontal lines for writing notes, spaced evenly down the page.



NOTES

A series of horizontal lines for taking notes, consisting of 18 parallel lines spaced evenly down the page.



INVESTIMENTOS

✉ info-mz@nskit.co.za

☎ +258 21 0871 95 📞 +258 84 799 2826

📍 Rua Carlos Albers, N° 138, R/C Polana Cimento,
Maputo